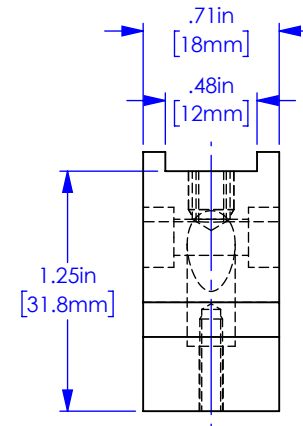
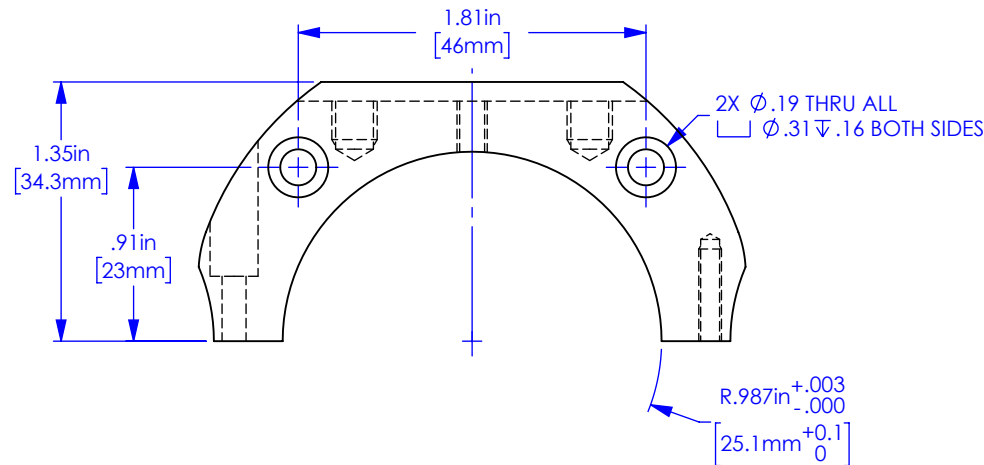
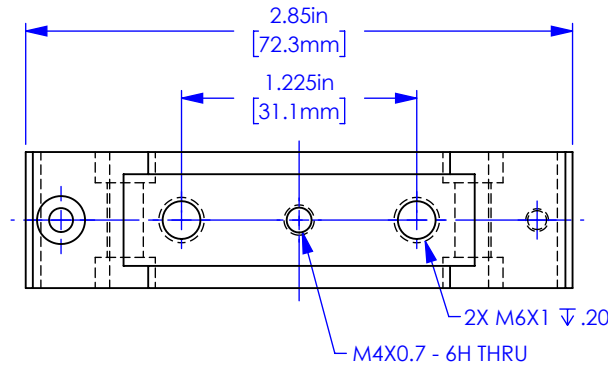
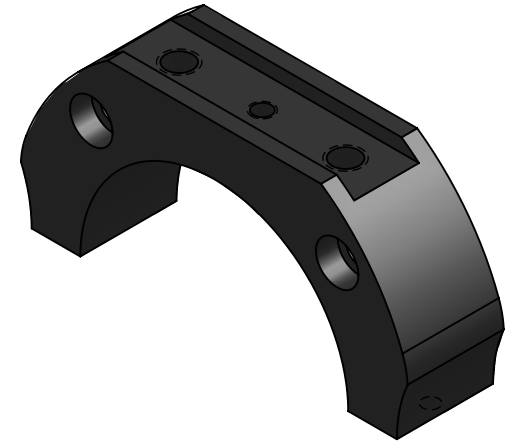


RAMM-B1013



PROPRIETARY AND CONFIDENTIAL
THE INFORMATION CONTAINED IN THIS DRAWING IS THE SOLE PROPERTY OF APPLIED SCIENTIFIC INSTRUMENTATION. ANY REPRODUCTION IN PART OR AS A WHOLE WITHOUT THE WRITTEN PERMISSION OF APPLIED SCIENTIFIC INSTRUMENTATION IS PROHIBITED.

APPLIED SCIENTIFIC INSTRUMENTATION
29391 W ENID RD
EUGENE, OR 97402-9533
PHONE: (541)461-8181
FAX: (541)461-4018

UNLESS OTHERWISE SPECIFIED
DIMENSIONS ARE IN INCHES
xx ± .01
xxx ± .005
xxxx ± .0002
FRACTIONS ± 1/32
ANGLES ± 1°

DESCRIPTION
MIM TUBE CLAMP
50mm I.D.
USED WITH MIM VERTICAL SUPPORTS

DRAWN BY/DATE

M.ANTHONY 9-30-20

CHECKED BY/DATE

V.MARSO 9-30-20

SCALE

1:1

REV

4

MATERIAL

6061,
ANODIZED BLK

DRAWING #

RAMM-B1013