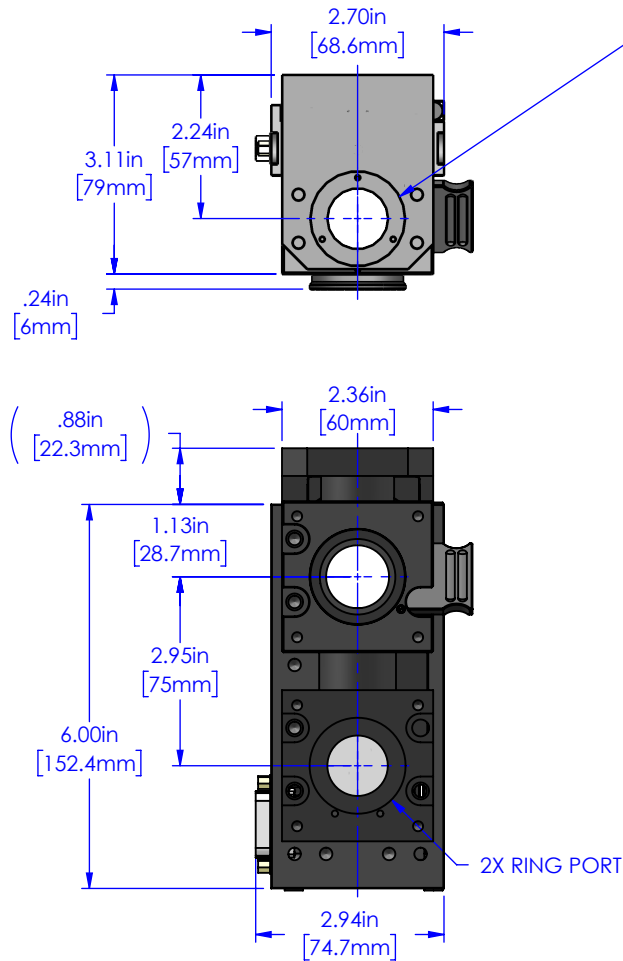


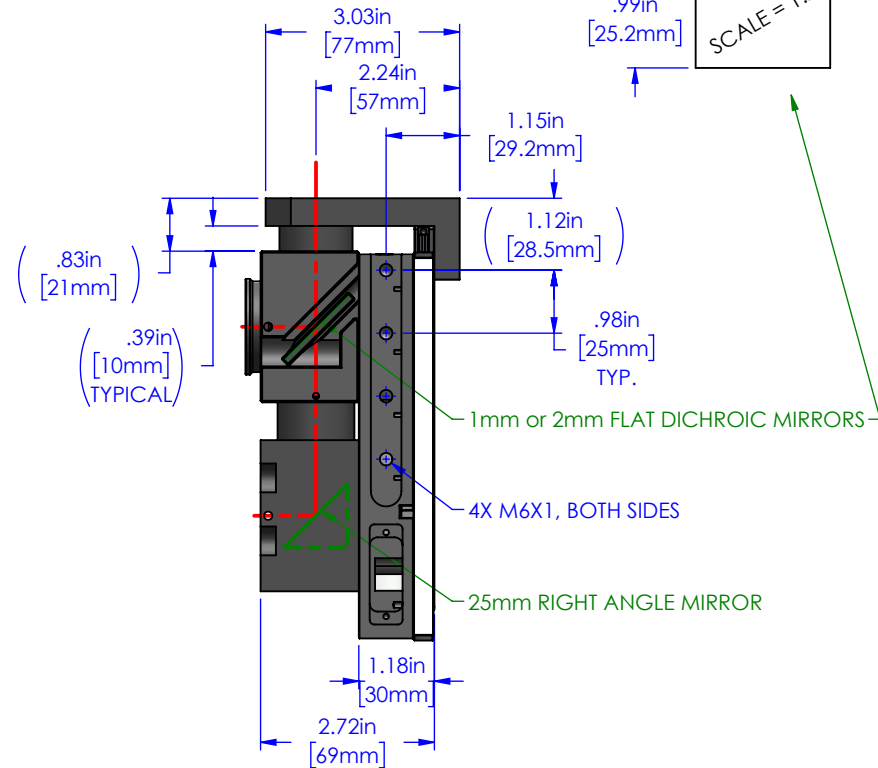
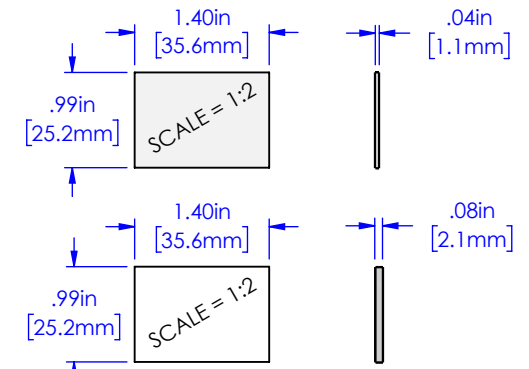
MIM2-OSxxx

MIM basic backbone with automated focus and two horizontal imaging paths.
 Provides >15mm focus travel. C60-RA-MIRROR, C60-OBJ-xxx, C60-RING, C60-RA-2nd-PORT, & LS50 stage.

PART #	DESCRIPTION
O2SRMS	with RMS (Olympus) objective adapters
O2SM25	with M25 x 0.75 Threads (Nikon) objective adapters
O2SM26	with M26 x 32 TPI Threads (Mitutoyo) objective adapters
O2SM27	with M27 x 0.75 TPI Threads (Zeiss) objective adapters



CHANGEABLE OBJECTIVE ADAPTERS



PROPRIETARY AND CONFIDENTIAL
 THE INFORMATION CONTAINED IN THIS DRAWING IS THE SOLE PROPERTY OF APPLIED SCIENTIFIC INSTRUMENTATION. ANY REPRODUCTION IN PART OR AS A WHOLE WITHOUT THE WRITTEN PERMISSION OF APPLIED SCIENTIFIC INSTRUMENTATION IS PROHIBITED.

APPLIED SCIENTIFIC INSTRUMENTATION
 29391 W ENID RD
 EUGENE, OR 97402-9533
 PHONE: (541)461-8181
 FAX: (541)461-4018

UNLESS OTHERWISE SPECIFIED
 DIMENSIONS ARE IN INCHES
 .xx ± .01
 .xxx ± .005
 .xxxx ± .0002
 FRACTIONS ± 1/32
 ANGLES ± 1°

DESCRIPTION

MIM-Basic Double Layer Microscopes

DRAWN BY/DATE

M.ANTHONY 4-13-21

CHECKED BY

V.MARSO
 J.DANIELS

SCALE

1:4

REV

-

MATERIAL

MOSTLY 6061,
 ANODIZED BLK

DRAWING #

MIM2-OSxxx