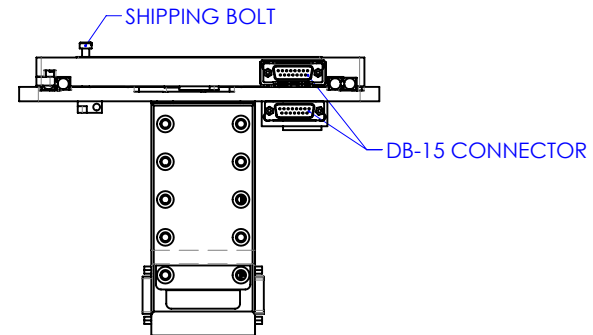
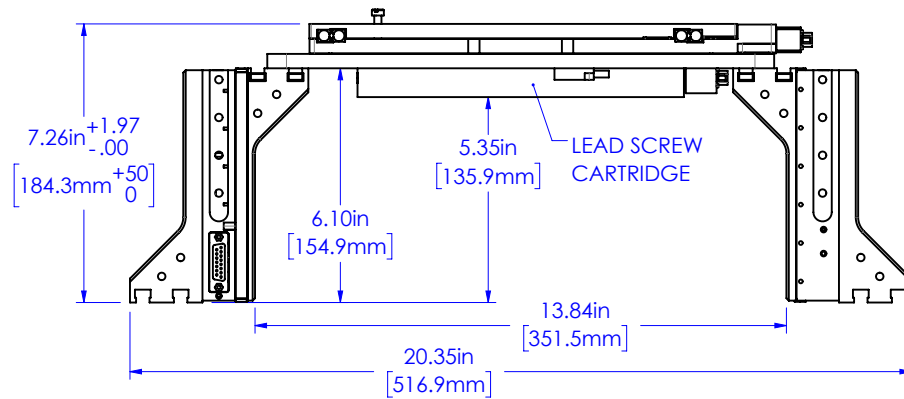
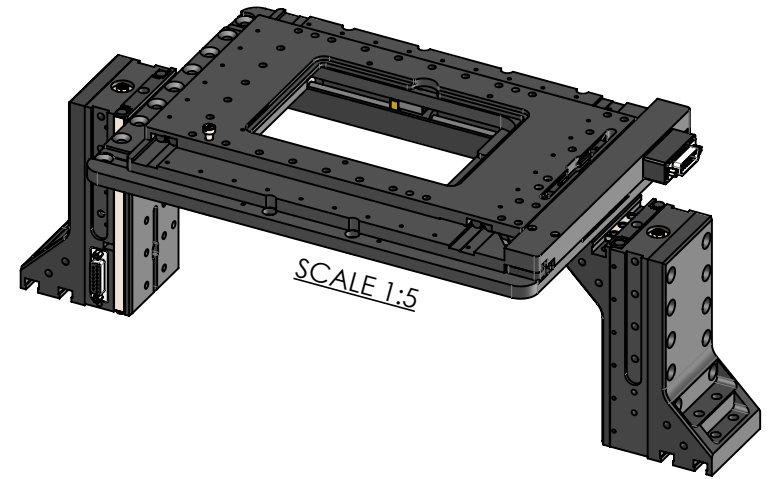
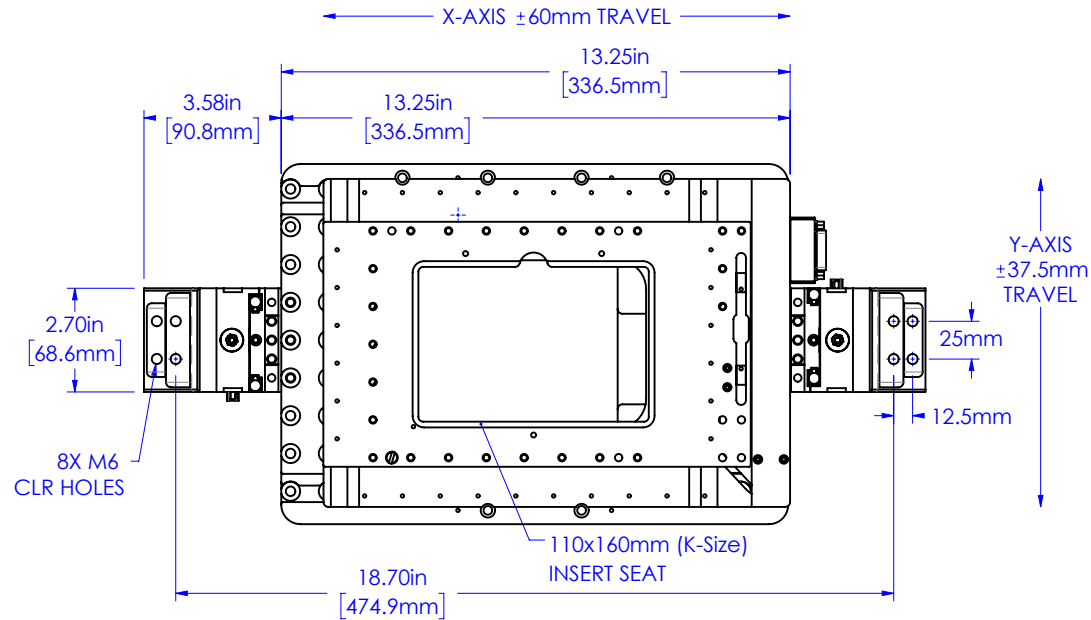


IX81 FTHE VERT (FTP)



PROPRIETARY AND CONFIDENTIAL

THE INFORMATION CONTAINED IN THIS DRAWING IS THE SOLE PROPERTY OF APPLIED SCIENTIFIC INSTRUMENTATION. ANY REPRODUCTION IN PART OR AS A WHOLE WITHOUT THE WRITTEN PERMISSION OF APPLIED SCIENTIFIC INSTRUMENTATION IS PROHIBITED.

APPLIED SCIENTIFIC INSTRUMENTATION

29391 W ENID RD
EUGENE, OR 97402-9533
PHONE: (541)461-8181
FAX: (541)461-4018

UNLESS OTHERWISE SPECIFIED
.xx ± .01
.xxx ± .005
.xxxx ± .0002
FRACTIONS ± 1/32
ANGLES ± 1°

DESCRIPTION

IX81 FTHE VERTICAL (FTP)

DRAWN BY/DATE
A. ARMSTRONG - 8/31/2020

CHECKED BY/DATE

-

SCALE
1:5

REV

-

MATERIAL

-

DRAWING #

IX81 FTHE VERT ASSEMBLY (FTP) (CATALOG DRAWING).SLDDRW