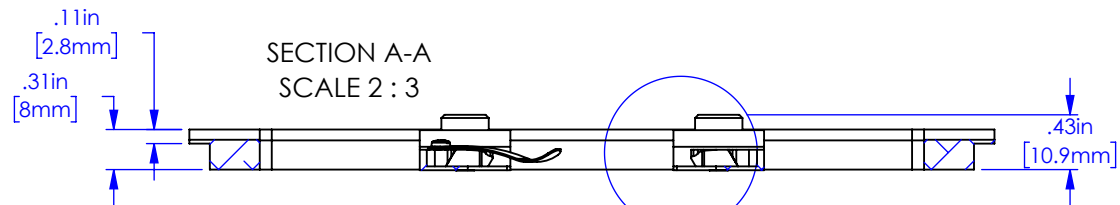
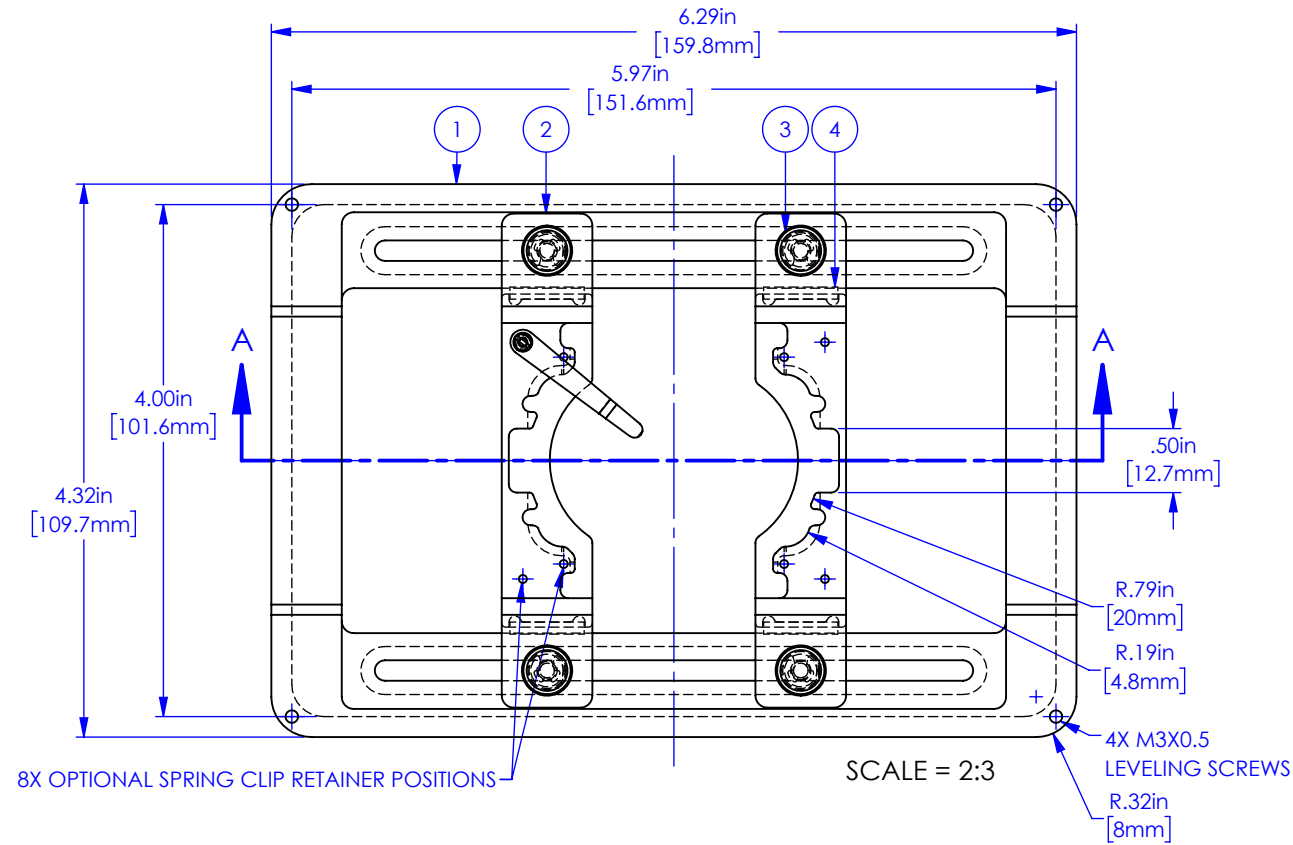
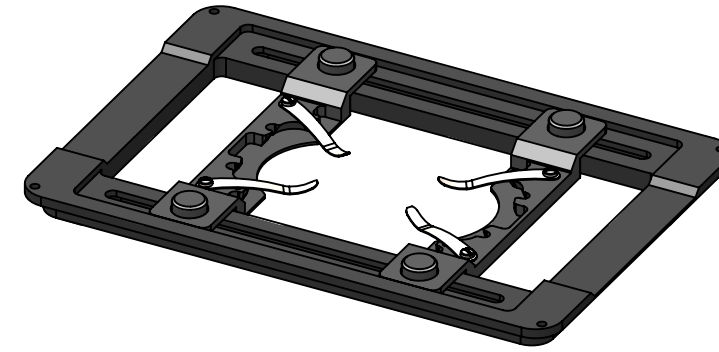
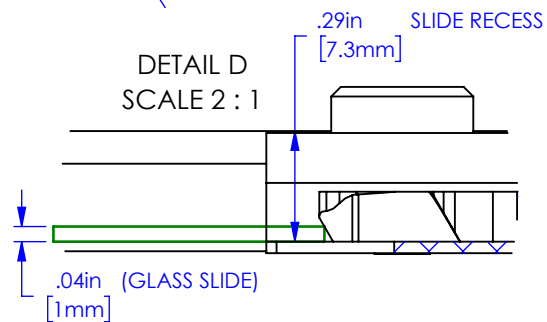


I-3091

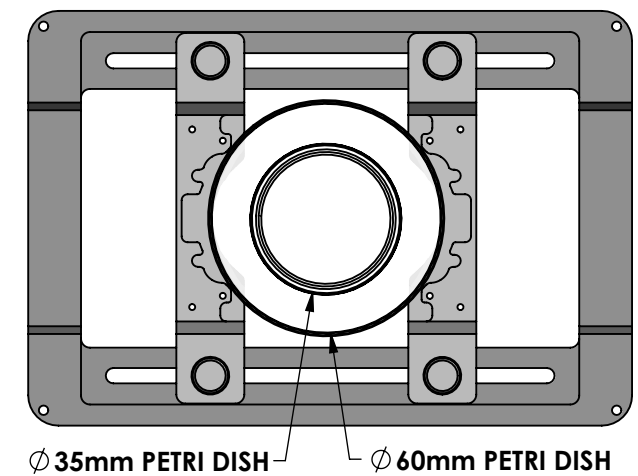
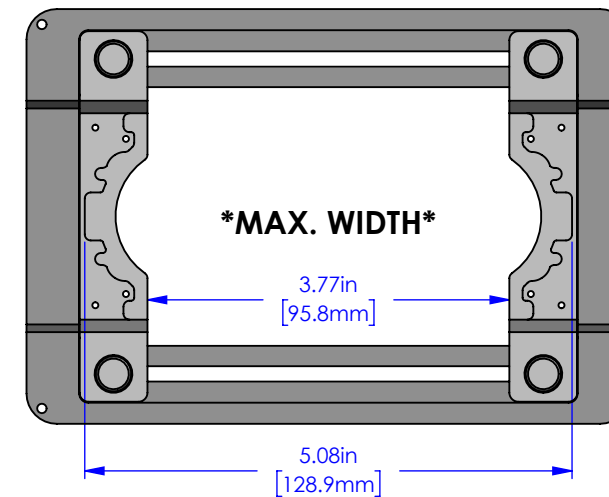
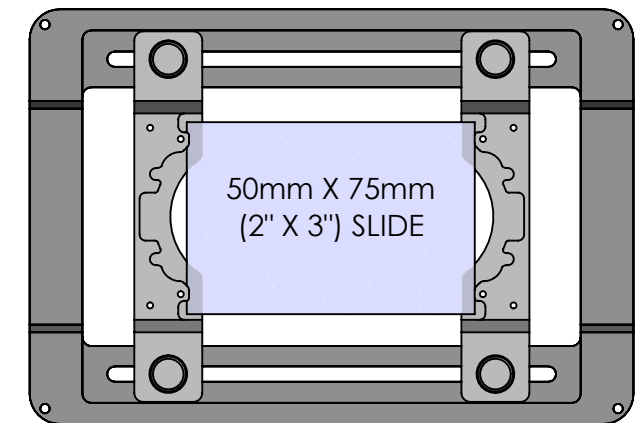
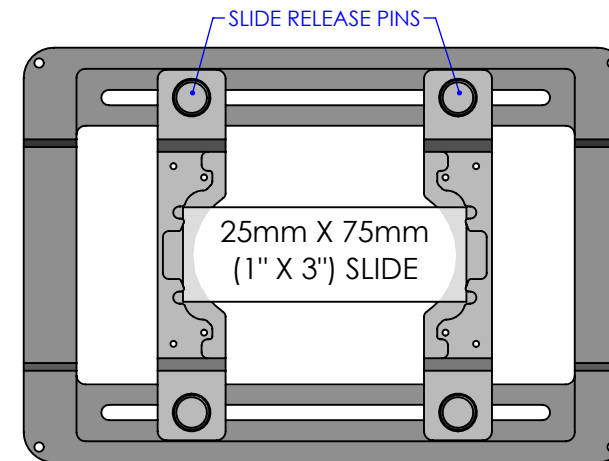


ITEM NO.	PART NUMBER	QTY.
1	I-3091-01 - BODY	1
2	I-3091-02 - SLIDE	2
3	I-3091-03 - SLIDE PIN	4
4	I-3091-04 - SLIDE BEARING	4



NOTES:

- 1) The I-3091 universal insert has a pair of adjustable sliders that allow it to accept a number of different sized slides and smaller Petri dishes up to 70 mm (2.75") in diameter.
- 2) It also has a notch on one slider to allow it to hold a LabTek™ chambered slide.
- 3) The bottom of the slides or dishes are recessed about 7.3 mm from the top of the insert.
- 4) Supplied with 2X Spring Clip Retainers



PROPRIETARY AND CONFIDENTIAL
 THE INFORMATION CONTAINED IN THIS DRAWING IS THE SOLE PROPERTY OF APPLIED SCIENTIFIC INSTRUMENTATION. ANY REPRODUCTION IN PART OR AS A WHOLE WITHOUT THE WRITTEN PERMISSION OF APPLIED SCIENTIFIC INSTRUMENTATION IS PROHIBITED.

APPLIED SCIENTIFIC INSTRUMENTATION
 29391 W ENID RD
 EUGENE, OR 97402-9533
 PHONE: (541)461-8181
 FAX: (541)461-4018

DRAWN BY/DATE
 M.ANTHONY 11-4-20

UNLESS OTHERWISE SPECIFIED DIMENSIONS ARE IN INCHES
 .xx ± .01
 .xxx ± .005
 .xxxx ± .0002
 FRACTIONS ± 1/32 ANGLES ± 1°

CHECKED BY/DATE
 V.MARSO
 J.DANIELS 11-4-20

DESCRIPTION
UNIVERSAL INSERT

SCALE: 1:2
 REV: -
 MATERIAL: BLK ANODIZED ALUM
 DRAWING #: I-3091