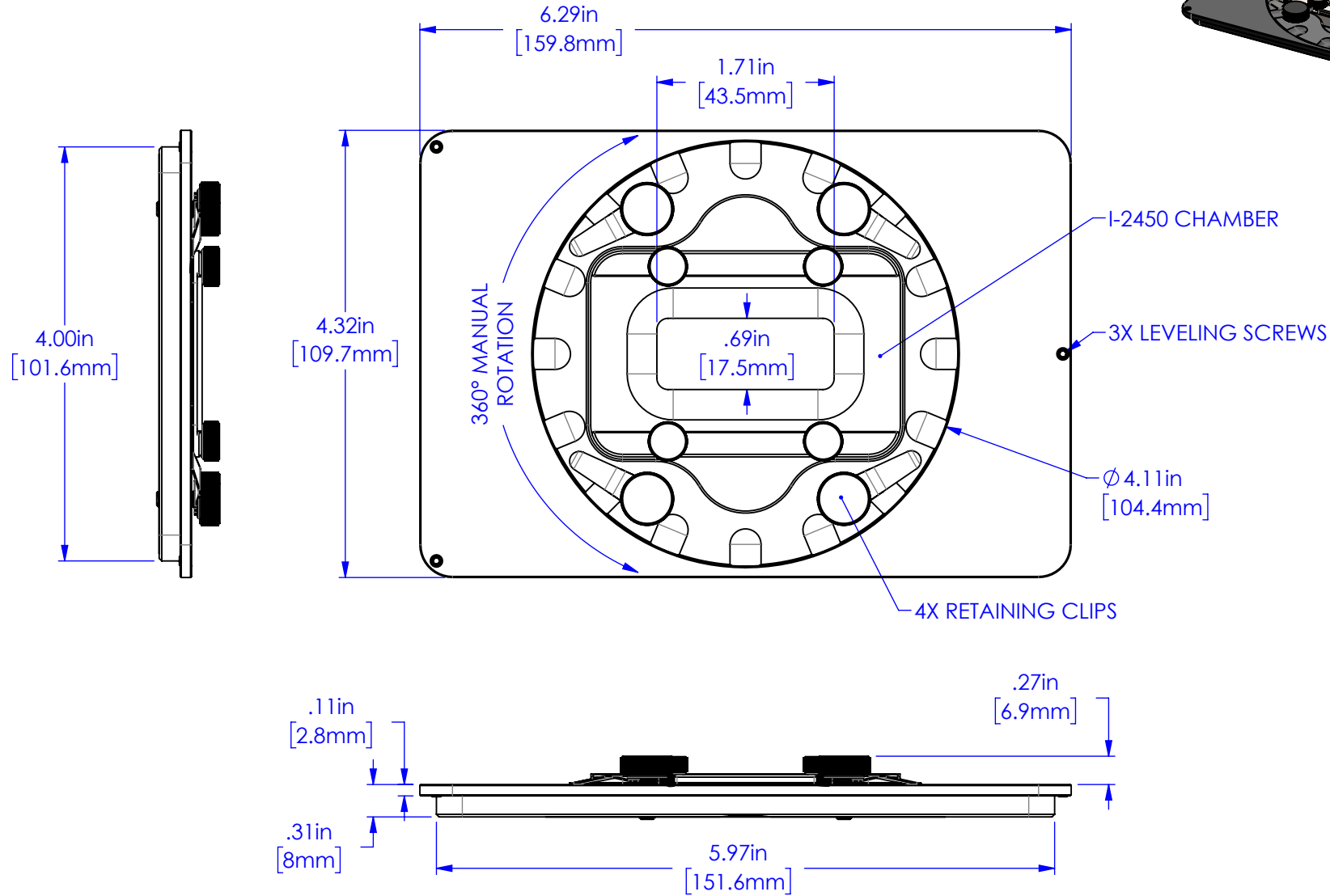


I-3078-R



PROPRIETARY AND CONFIDENTIAL

THE INFORMATION CONTAINED IN THIS DRAWING IS THE SOLE PROPERTY OF APPLIED SCIENTIFIC INSTRUMENTATION. ANY REPRODUCTION IN PART OR AS A WHOLE WITHOUT THE WRITTEN PERMISSION OF APPLIED SCIENTIFIC INSTRUMENTATION IS PROHIBITED.

APPLIED SCIENTIFIC INSTRUMENTATION

29391 W ENID RD
EUGENE, OR 97402-9533
PHONE: (541)461-8181
FAX: (541)461-4018

UNLESS OTHERWISE SPECIFIED
.xx ± .01
.xxx ± .005
.xxxx ± .0002
FRACTIONS ± 1/32
ANGLES ± 1°

DESCRIPTION

**INSERT
- ROTATING COVER SLIP**

DESIGNED BY/DATE

C. NILSEN - 3/6/2019

DRAWN BY/DATE

A. ARMSTRONG - 9/3/2020

SCALE

1:1.5

REV

0

MATERIAL

-

DRAWING #

I-3078-R - CATALOG DRAWING.SLDDRW