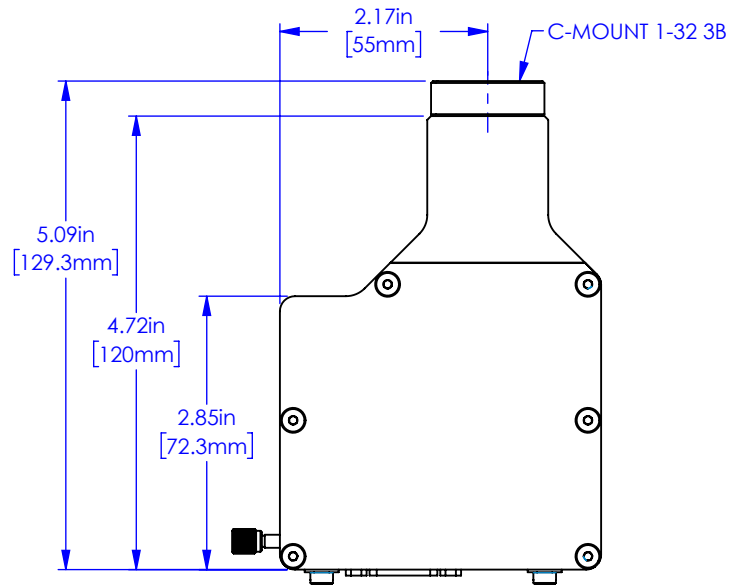
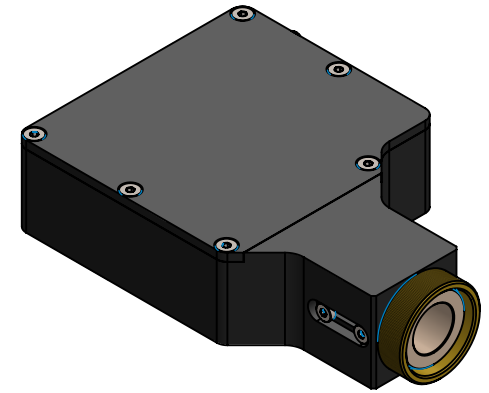


CRISP-5 ASSM

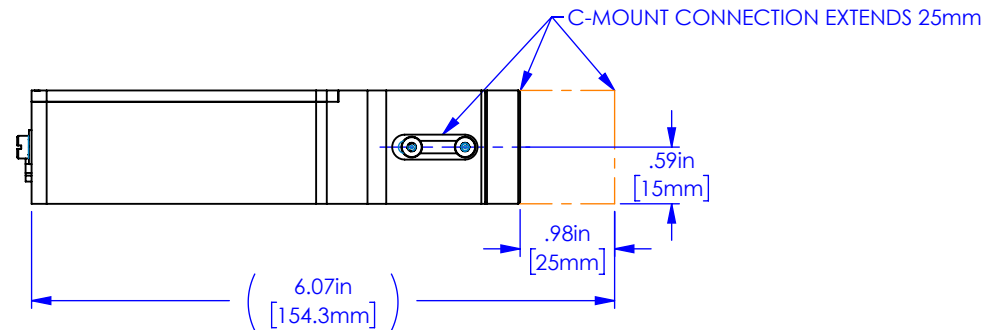
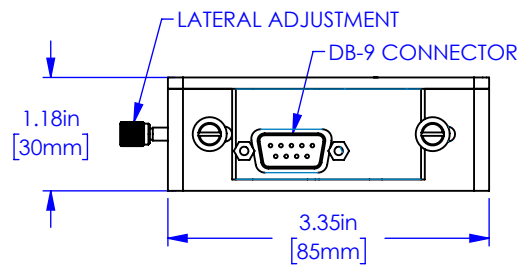


CRISP Specifications

- Light Source - LED
- Wavelength - Choose from 625-1050 nm
- Optical Interface - C-Mount
- Typical Focus Accuracy - <5% of objective Depth of Focus
- Controller - MS-2000 w/ CRISP card OR TG-1000 w/ CRISP card

CRISP System Details

- Mounts onto any microscope's standard C-Mount port
- Maintains ideal focus for days
- Works with most normal microscope objectives
- Low noise electronics allows locking to glass/water interfaces
- Integrates with ASI Piezo-Z or motorized focus stages
- Simple post-lock fine adjustment of focus
- Automated control



PROPRIETARY AND CONFIDENTIAL
 THE INFORMATION CONTAINED IN THIS DRAWING IS THE SOLE PROPERTY OF APPLIED SCIENTIFIC INSTRUMENTATION. ANY REPRODUCTION IN PART OR AS A WHOLE WITHOUT THE WRITTEN PERMISSION OF APPLIED SCIENTIFIC INSTRUMENTATION IS PROHIBITED.

APPLIED SCIENTIFIC INSTRUMENTATION
 29391 W ENID RD
 EUGENE, OR 97402-9533
 PHONE: (541)461-8181
 FAX: (541)461-4018

UNLESS OTHERWISE SPECIFIED
 DIMENSIONS ARE IN INCHES
 .xx ± .01
 .xxx ± .005
 .xxxx ± .0002
 FRACTIONS ± 1/32
 ANGLES ± 1°

DESCRIPTION
CRISP-5
CONTINUOUS REFLECTIVE INTERFACE
SAMPLE PLACEMENT SYSTEM

| DRAWN BY/DATE | CHECKED BY/DATE | SCALE | REV | MATERIAL | DRAWING # |
|--------------------|----------------------------|-------|-----|----------|------------|
| M.ANTHONY 10-27-20 | JON.D. V.MARSO 10-27-20 | 1:2 | - | - | CRISP ASSM |