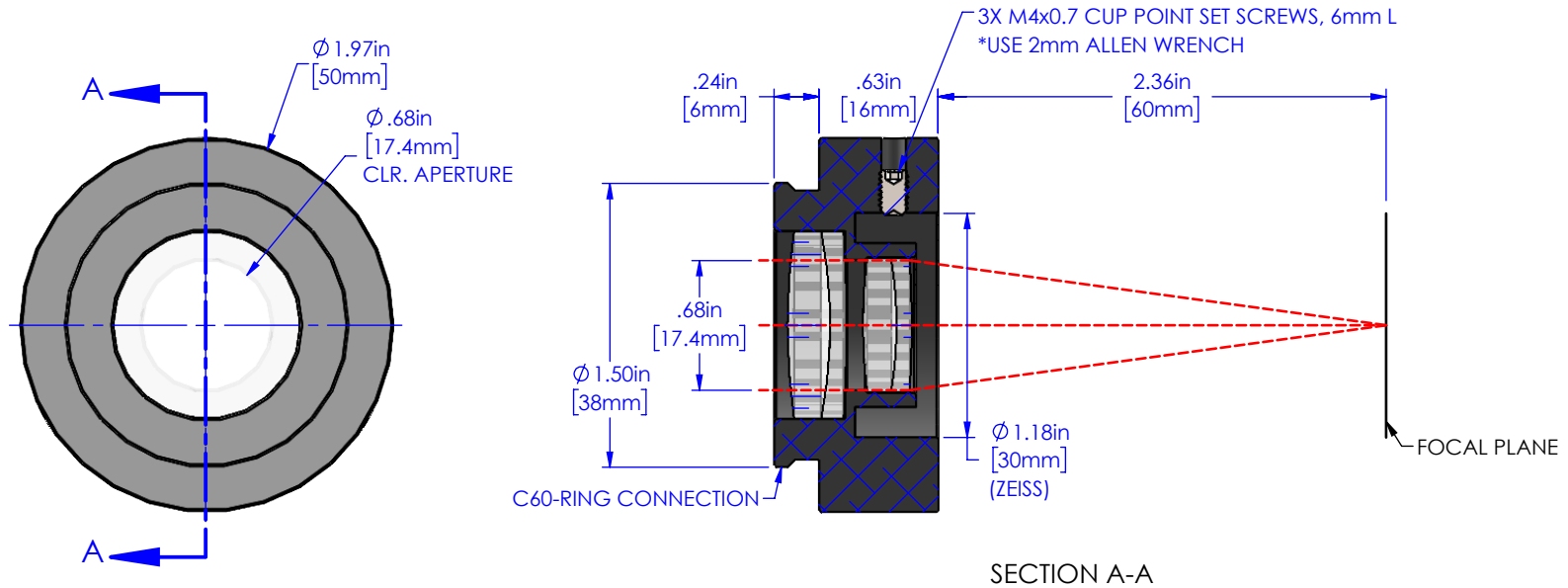


C60-TUBE-70D

THIS DRAWING AND ALL DATA INCLUDED IS THE PROPERTY OF APPLIED SCIENTIFIC INSTRUMENTATION AND THE INFORMATION CONTAINED HEREIN IS FOR GENERAL PRESENTATION PURPOSES ONLY AND MAY CHANGE AT ANY TIME. CONTACT ASI OR A FACTORY REPRESENTATIVE FOR PROJECT SPECIFIC ENGINEERING.



NOTES:

1. Used as Scan lens for Micro-mirror scanners.
2. Tube body without lens assembly serves as an adapter; it is female zeiss to male C-60; adds ~16 mm



PROPRIETARY AND CONFIDENTIAL
THE INFORMATION CONTAINED IN THIS DRAWING IS THE SOLE PROPERTY OF APPLIED SCIENTIFIC INSTRUMENTATION. ANY REPRODUCTION IN PART OR AS A WHOLE WITHOUT THE WRITTEN PERMISSION OF APPLIED SCIENTIFIC INSTRUMENTATION IS PROHIBITED.

APPLIED SCIENTIFIC INSTRUMENTATION
29391 W ENID RD
EUGENE, OR 97402-9533
PHONE: (541)461-8181
FAX: (541)461-4018

UNLESS OTHERWISE SPECIFIED
DIMENSIONS ARE IN INCHES
.xx ± .01
.xxx ± .005
.xxxx ± .0002
FRACTIONS ± 1/32
ANGLES ± 1°

DESCRIPTION

MULTI-ELEMENT TUBE LENS ASSEMBLY, 70mm F.L.

DRAWN BY/DATE

M.ANTHONY 12/15/21

CHECKED BY/DATE

J.DANIELS / V.MARSO
12/15/21

SCALE

1:1

REV

-

MATERIAL

ALUM, ANODIZED BLK

DRAWING #

C60-TUBE-70D