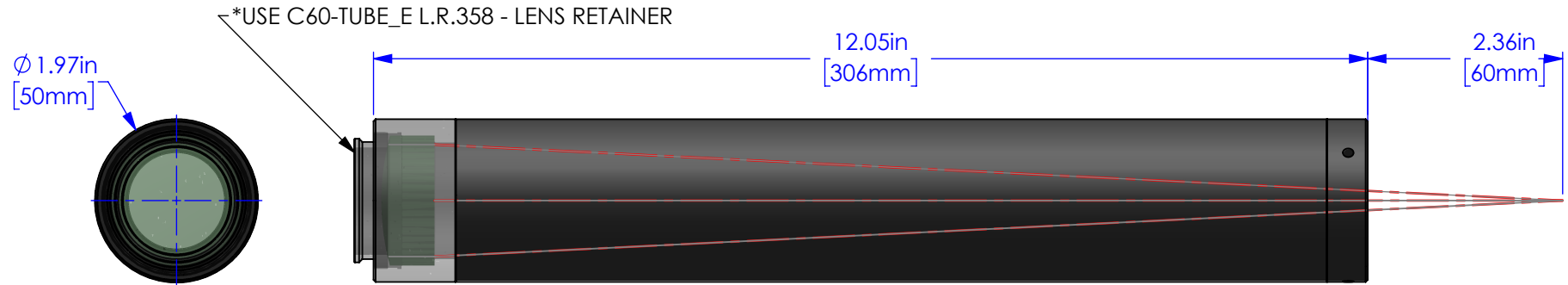
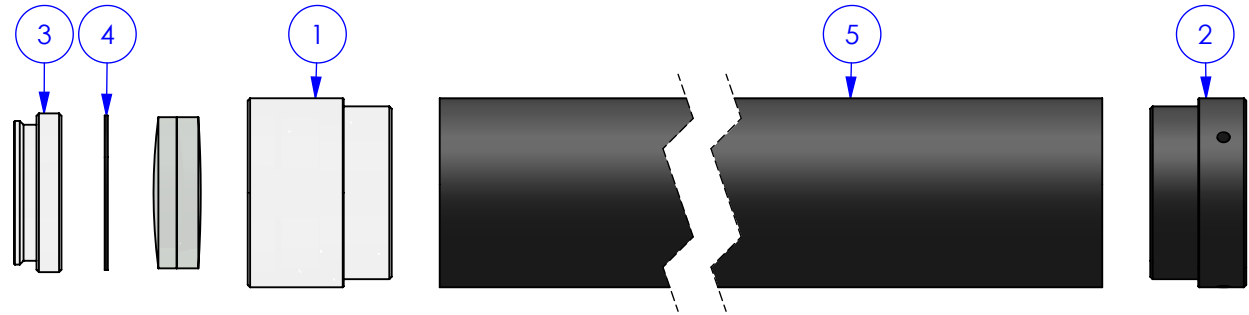



C60-TUBE-358



ITEM NO.	PART NUMBER	QTY.
1	C60-TUBE_E LENS HOLDER	1
2	C60-TUBE_E MOUNT	1
3	C60-TUBE_E LENS RETAINER	1
4	C60-TUBE-100-SPACER ONLY USED IN THE 200mm and 250mm TUBE ASSEMBLIES	1
5	C60-TUBE_E-400	1



 PROPRIETARY AND CONFIDENTIAL THE INFORMATION CONTAINED IN THIS DRAWING IS THE SOLE PROPERTY OF APPLIED SCIENTIFIC INSTRUMENTATION. ANY REPRODUCTION IN PART OR AS A WHOLE WITHOUT THE WRITTEN PERMISSION OF APPLIED SCIENTIFIC INSTRUMENTATION IS PROHIBITED.	APPLIED SCIENTIFIC INSTRUMENTATION 29391 W ENID RD EUGENE, OR 97402-9533 PHONE: (541)461-8181 FAX: (541)461-4018		UNLESS OTHERWISE SPECIFIED DIMENSIONS ARE IN INCHES .xx ± .01 .xxx ± .005 .xxxx ± .0002 FRACTIONS ± 1/32 ANGLES ± 1°		DESCRIPTION TUBE-358 ASSEMBLY	
	DRAWN BY/DATE M.ANTHONY 2-10-20	CHECKED BY/DATE -	SCALE 1:2	REV -	MATERIAL -	DRAWING # C60-TUBE-358

5

4

3

2

1