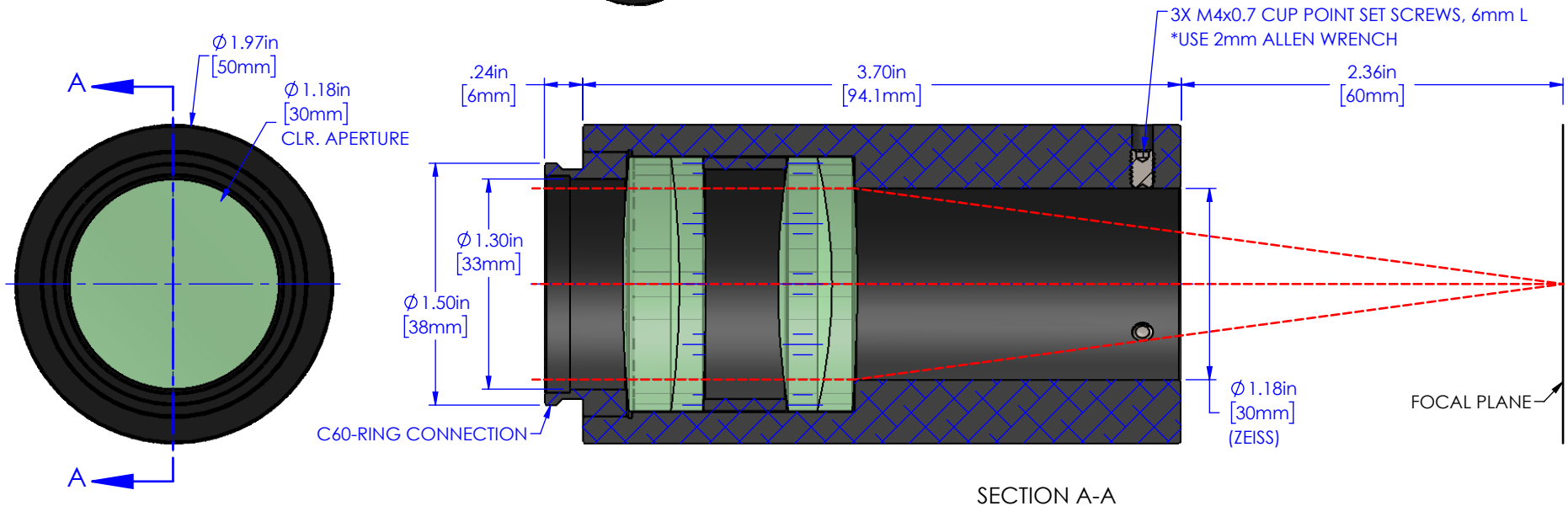


C60-TUBE-125D

THIS DRAWING AND ALL DATA INCLUDED IS THE PROPERTY OF APPLIED SCIENTIFIC INSTRUMENTATION AND THE INFORMATION CONTAINED HEREIN IS FOR GENERAL PRESENTATION PURPOSES ONLY AND MAY CHANGE AT ANY TIME. CONTACT ASI OR A FACTORY REPRESENTATIVE FOR PROJECT SPECIFIC ENGINEERING.



PROPRIETARY AND CONFIDENTIAL
 THE INFORMATION CONTAINED IN THIS DRAWING IS THE SOLE PROPERTY OF APPLIED SCIENTIFIC INSTRUMENTATION. ANY REPRODUCTION IN PART OR AS A WHOLE WITHOUT THE WRITTEN PERMISSION OF APPLIED SCIENTIFIC INSTRUMENTATION IS PROHIBITED.

APPLIED SCIENTIFIC INSTRUMENTATION
 29391 W ENID RD
 EUGENE, OR 97402-9533
 PHONE: (541)461-8181
 FAX: (541)461-4018

UNLESS OTHERWISE SPECIFIED
 DIMENSIONS ARE IN INCHES
 .xx ± .01
 .xxx ± .005
 .xxxx ± .002
 FRACTIONS ± 1/32
 ANGLES ± 1°

DESCRIPTION
MODULAR INVERTED MICROSCOPE
 BASIC TUBE LENS MODULE - WITH 125mm ACHROMAT TUBE LENS.
 MALE RING MOUNT IS PART OF TUBE.

DRAWN BY/DATE
 M.ANTHONY 12/10/21

CHECKED BY/DATE
 J.DANIELS / V.MARSO
 12/10/21

SCALE
 1:1

REV
 -

MATERIAL
 ALUM, ANODIZED BLK

DRAWING #
 C60-TUBE-125D