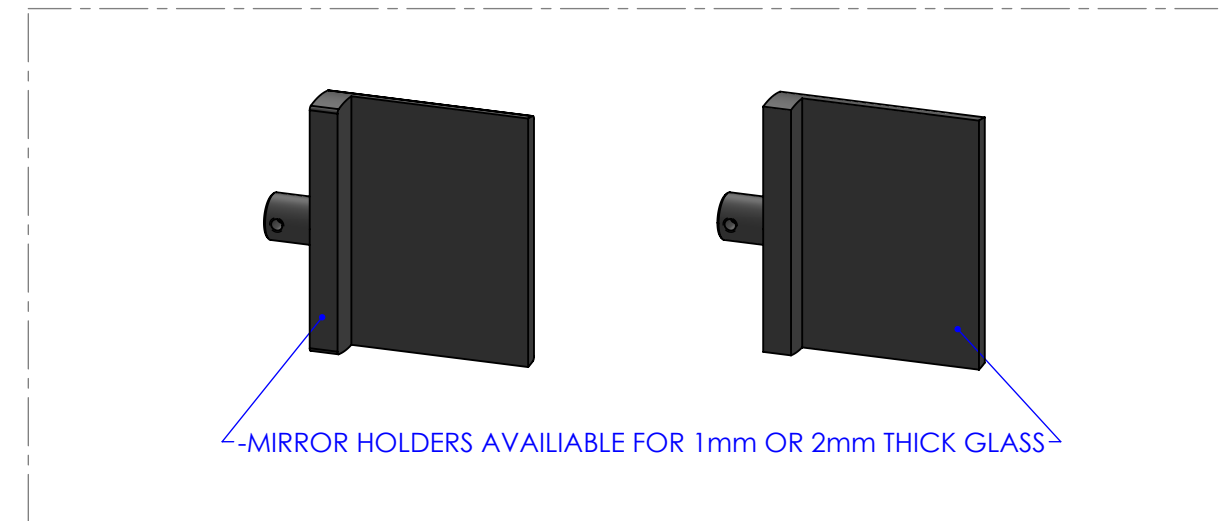
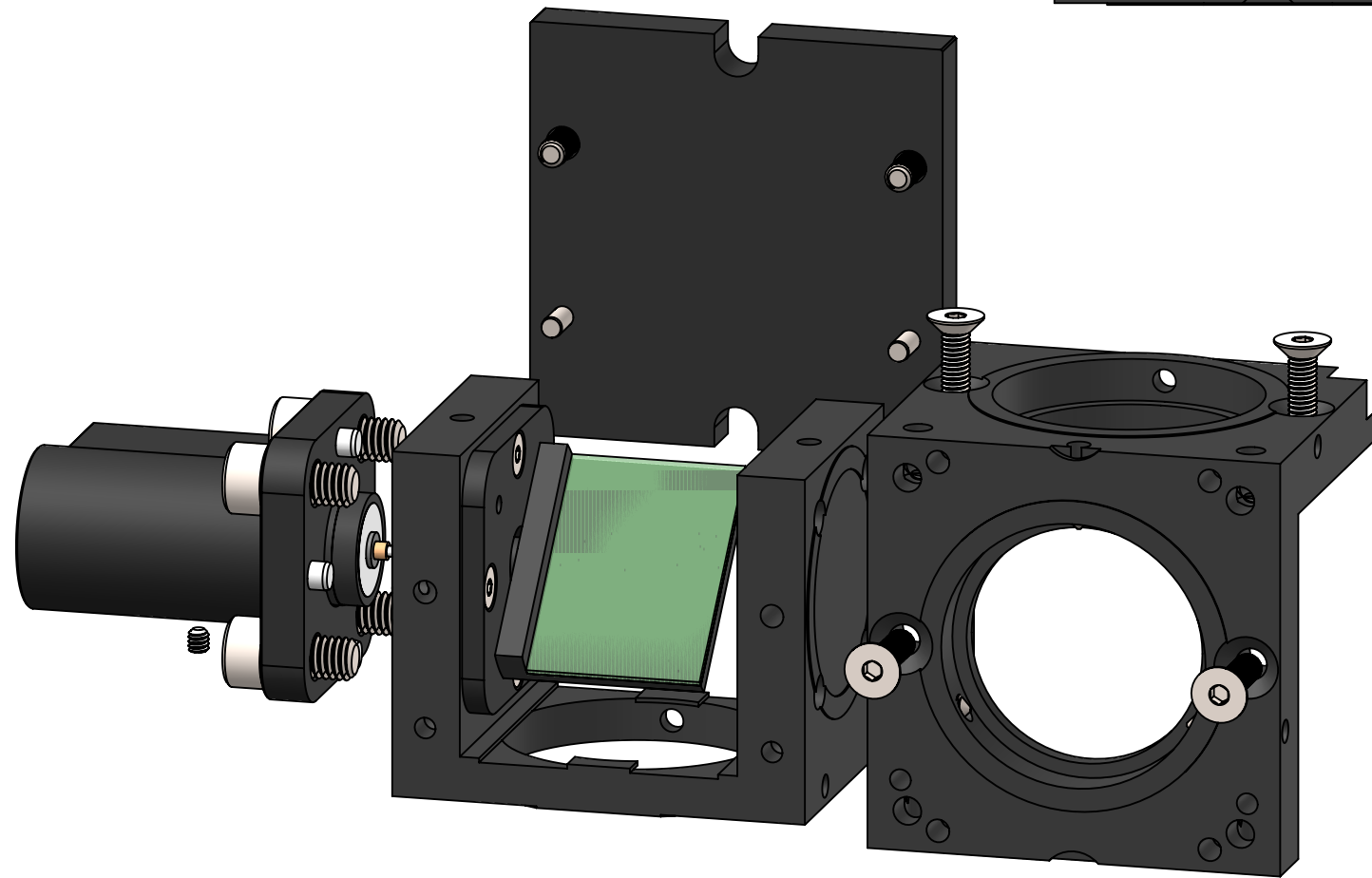
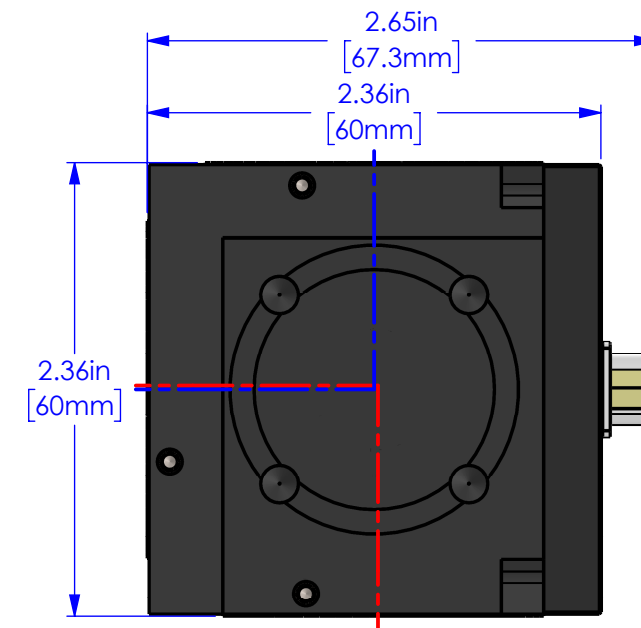
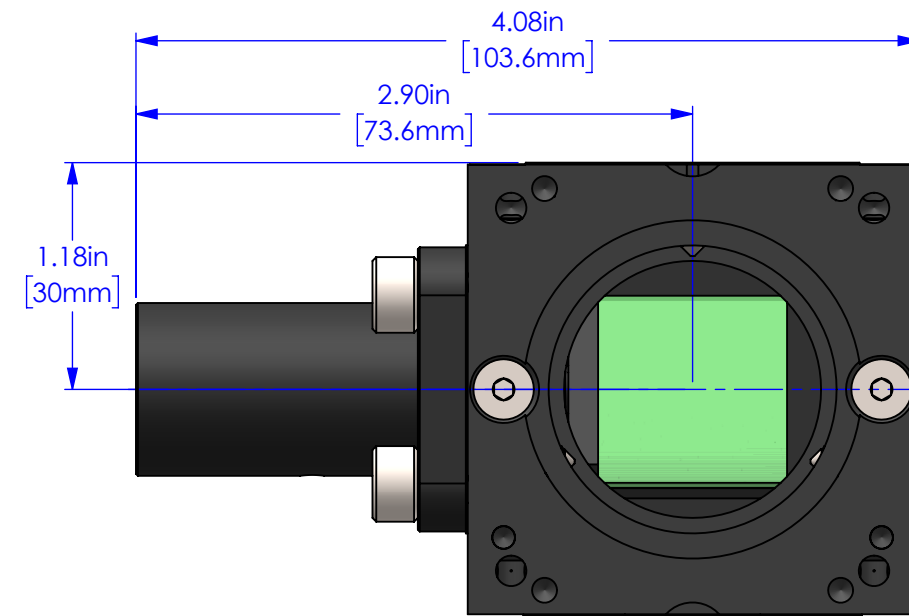


C60-PORT-SWITCH



PROPRIETARY AND CONFIDENTIAL
THE INFORMATION CONTAINED IN THIS DRAWING IS THE SOLE PROPERTY OF APPLIED SCIENTIFIC INSTRUMENTATION. ANY REPRODUCTION IN PART OR AS A WHOLE WITHOUT THE WRITTEN PERMISSION OF APPLIED SCIENTIFIC INSTRUMENTATION IS PROHIBITED.

APPLIED SCIENTIFIC INSTRUMENTATION
29391 W ENID RD
EUGENE, OR 97402-9533
PHONE: (541)461-8181
FAX: (541)461-4018

DRAWN BY/DATE
M.ANTHONY 12-12-2016

CHECKED BY/DATE
V.MARSO 3.20.18

UNLESS OTHERWISE SPECIFIED
.xx ± .01
.xxx ± .005
.xxxx ± .0002
FRACTIONS ± 1/32
ANGLES ± 1°

DESCRIPTION

C60-PORT SWITCH

SCALE 1:1
REV 1
MATERIAL 6061, ANODIZED BLK

DRAWING # C60-PORT-SWITCH