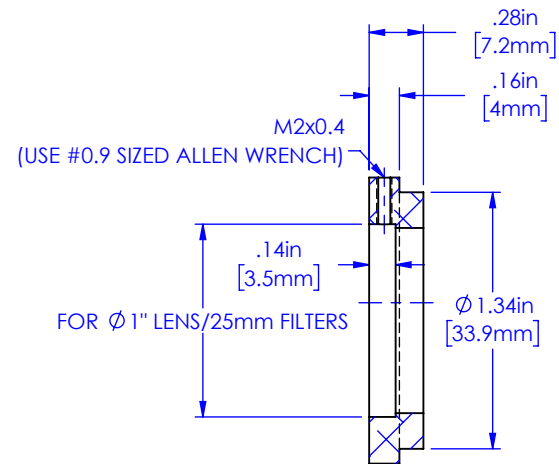
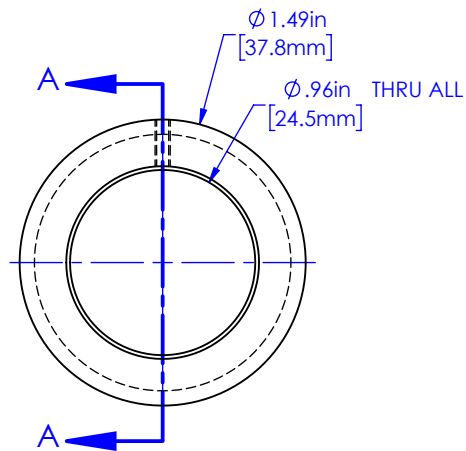


# C60-FCUBE-IN-25F



SECTION A-A



**PROPRIETARY AND CONFIDENTIAL**  
 THE INFORMATION CONTAINED IN THIS DRAWING IS THE SOLE PROPERTY OF APPLIED SCIENTIFIC INSTRUMENTATION. ANY REPRODUCTION IN PART OR AS A WHOLE WITHOUT THE WRITTEN PERMISSION OF APPLIED SCIENTIFIC INSTRUMENTATION IS PROHIBITED.

APPLIED SCIENTIFIC INSTRUMENTATION  
 29391 W ENID RD  
 EUGENE, OR 97402-9533  
 PHONE: (541)461-8181  
 FAX: (541)461-4018

UNLESS OTHERWISE SPECIFIED  
 DIMENSIONS ARE IN INCHES  
 .xx ± .01  
 .xxx ± .005  
 .xxxx ± .0002  
 FRACTIONS ± 1/32  
 ANGLES ± 1°

**DESCRIPTION**

-HOLDER FOR 1" LENS/25mm FILTERS  
 -TO BE GLUED INSIDE THE FILTER CUBE, ONTO THE INSIDE BORE OF C60-FCUBE-PORTS

**DRAWN BY/DATE**

M.ANTHONY 4-14-21

**CHECKED BY/DATE**

V.MARSO  
 J.DANIELS

**SCALE**

1:1

**REV**

0

**MATERIAL**

6061, ANODIZED BLK

**DRAWING #**

C60-FCUBE-IN-25F