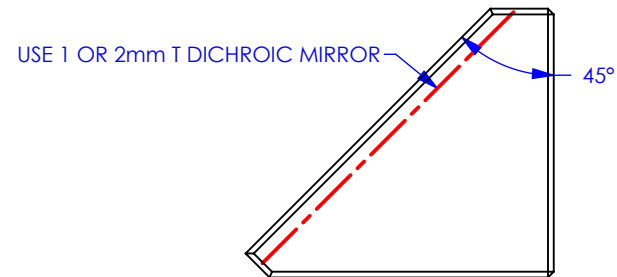
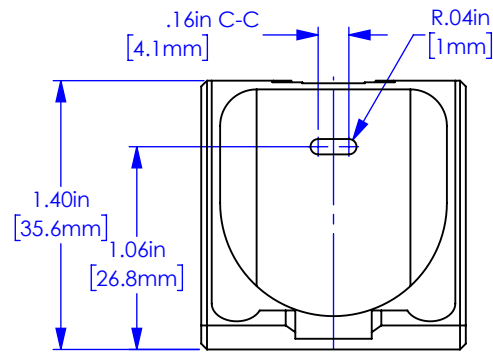
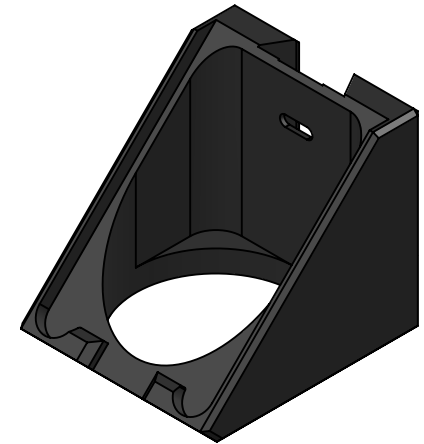
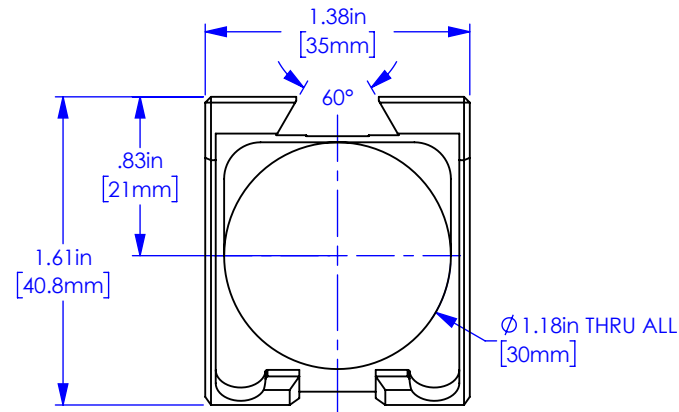


C60-FCUBE-32x44



NOTES:

1. Dichroic Mirrors Only - No provision for EX or EM filters.
2. Glue in 1mm or 2mm filter.



PROPRIETARY AND CONFIDENTIAL
 THE INFORMATION CONTAINED IN THIS DRAWING IS THE SOLE PROPERTY OF APPLIED SCIENTIFIC INSTRUMENTATION. ANY REPRODUCTION IN PART OR AS A WHOLE WITHOUT THE WRITTEN PERMISSION OF APPLIED SCIENTIFIC INSTRUMENTATION IS PROHIBITED.

APPLIED SCIENTIFIC INSTRUMENTATION
 29391 W ENID RD
 EUGENE, OR 97402-9533
 PHONE: (541)461-8181
 FAX: (541)461-4018

UNLESS OTHERWISE SPECIFIED
 DIMENSIONS ARE IN INCHES
 .xx ± .01
 .xxx ± .005
 .xxxx ± .002
 FRACTIONS ± 1/32
 ANGLES ± 1°

DESCRIPTION

32x44mm DICHOIC MIRROR HOLDER
 FOR C60-CUBE

DRAWN BY/DATE
 M.ANTHONY 9-29-2020

CHECKED BY/DATE
 V.MARSO 9-29-20

SCALE
 1:1

REV
 1

MATERIAL
 6061,
 ANODIZED BLK

DRAWING #
 C60-FCUBE-32X44