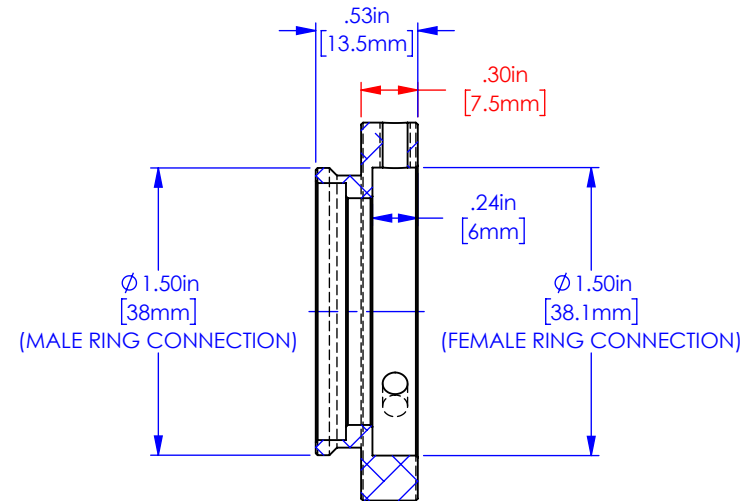
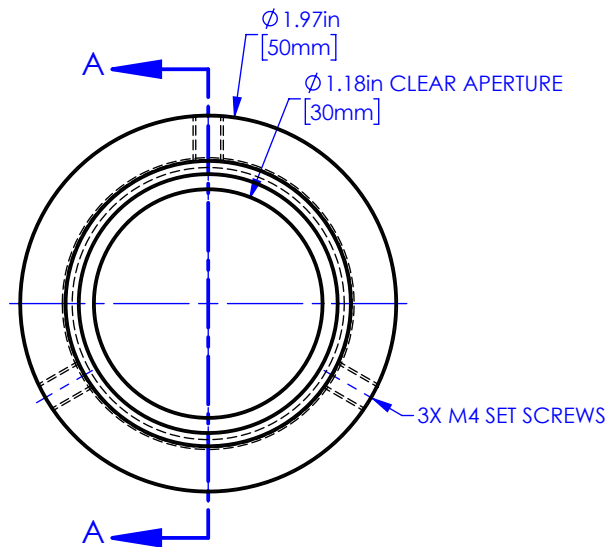


# C60-EXT-7.5



SECTION A-A



**PROPRIETARY AND CONFIDENTIAL**

THE INFORMATION CONTAINED IN THIS DRAWING IS THE SOLE PROPERTY OF APPLIED SCIENTIFIC INSTRUMENTATION. ANY REPRODUCTION IN PART OR AS A WHOLE WITHOUT THE WRITTEN PERMISSION OF APPLIED SCIENTIFIC INSTRUMENTATION IS PROHIBITED.

**APPLIED SCIENTIFIC INSTRUMENTATION**

29391 W ENID RD  
 EUGENE, OR 97402-9533  
 PHONE: (541)461-8181  
 FAX: (541)461-4018

**UNLESS OTHERWISE SPECIFIED DIMENSIONS ARE IN INCHES**

.xx ± .01  
 .xxx ± .005  
 .xxxx ± .002  
 FRACTIONS ± 1/32  
 ANGLES ± 1°

**DESCRIPTION**

7.5mm EXTENSION TUBE  
 w/ MALE TO FEMALE C60-RING MOUNTS

**DRAWN BY/DATE**

M.ANTHONY 11-16-20

**CHECKED BY/DATE**

V.MARSO  
 J.DANIELS 11-16-20

**SCALE**

1:1

**REV**

-

**MATERIAL**

6061, ANODIZED BLK

**DRAWING #**

C60-EXT-7.5