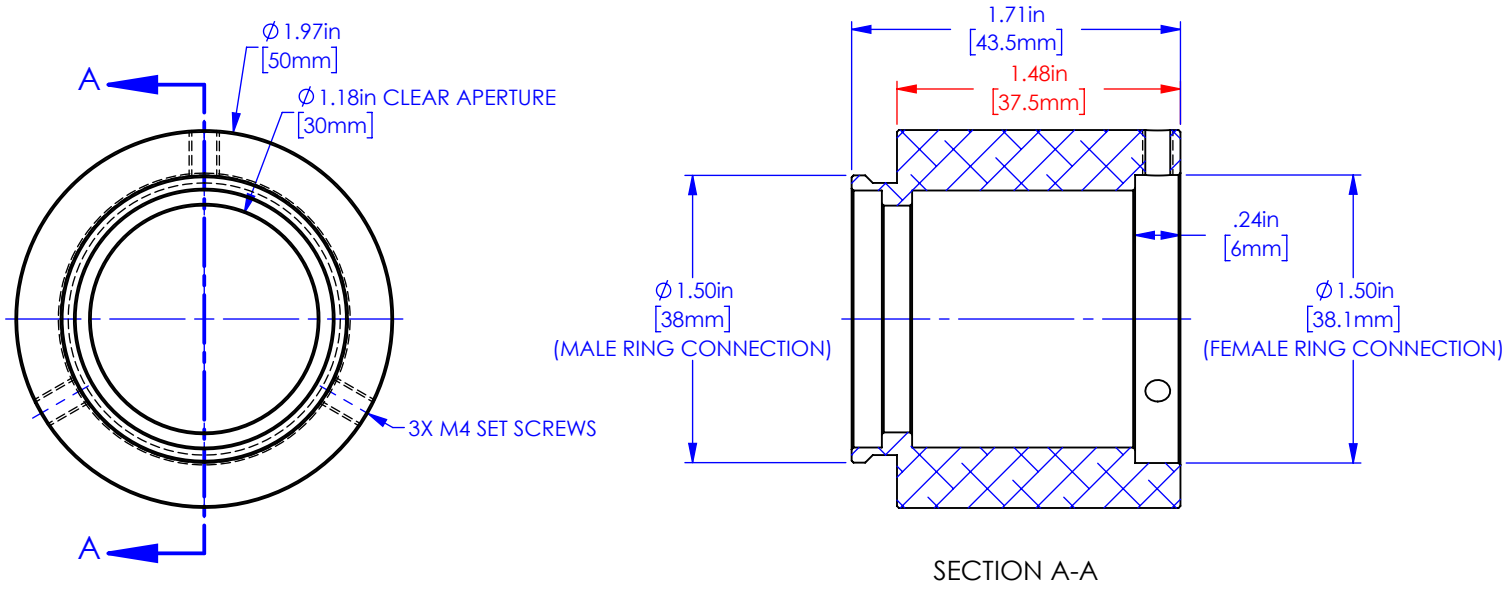


C60-EXT-37.5



PROPRIETARY AND CONFIDENTIAL
 THE INFORMATION CONTAINED IN THIS DRAWING IS THE SOLE PROPERTY OF APPLIED SCIENTIFIC INSTRUMENTATION. ANY REPRODUCTION IN PART OR AS A WHOLE WITHOUT THE WRITTEN PERMISSION OF APPLIED SCIENTIFIC INSTRUMENTATION IS PROHIBITED.

APPLIED SCIENTIFIC INSTRUMENTATION
 29391 W ENID RD
 EUGENE, OR 97402-9533
 PHONE: (541)461-8181
 FAX: (541)461-4018

UNLESS OTHERWISE SPECIFIED
 DIMENSIONS ARE IN INCHES
 .xx ± .01
 .xxx ± .005
 .xxxx ± .0002
 FRACTIONS ± 1/32
 ANGLES ± 1°

DESCRIPTION
 37.5mm EXTENSION TUBE
 w/MALE TO FEMALE C60-RING MOUNTS

DRAWN BY/DATE	CHECKED BY/DATE	SCALE	REV	MATERIAL	DRAWING #
M.ANTHONY 11-16-20	V.MARSO J.DANIELS 11-16-20	1:1	-	6061, ANODIZED BLK	C60-EXT-37.5