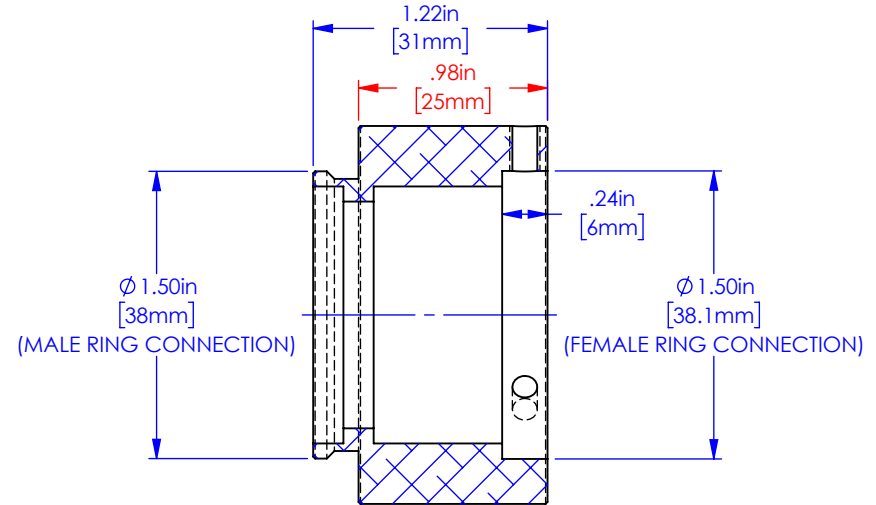
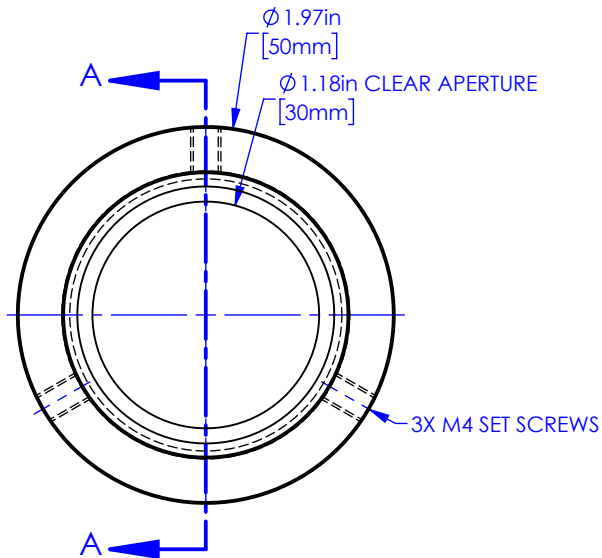
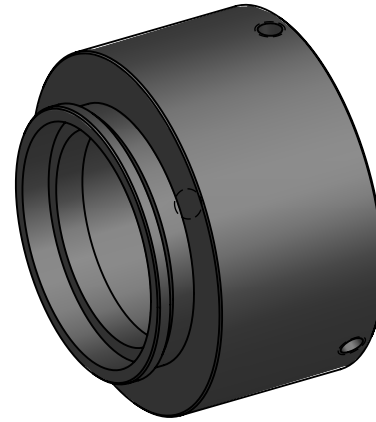


C60-EXT-25



SECTION A-A



PROPRIETARY AND CONFIDENTIAL
 THE INFORMATION CONTAINED IN THIS DRAWING IS THE SOLE PROPERTY OF APPLIED SCIENTIFIC INSTRUMENTATION. ANY REPRODUCTION IN PART OR AS A WHOLE WITHOUT THE WRITTEN PERMISSION OF APPLIED SCIENTIFIC INSTRUMENTATION IS PROHIBITED.

APPLIED SCIENTIFIC INSTRUMENTATION
 29391 W ENID RD
 EUGENE, OR 97402-9533
 PHONE: (541)461-8181
 FAX: (541)461-4018

UNLESS OTHERWISE SPECIFIED
 DIMENSIONS ARE IN INCHES
 .xx ± .01
 .xxx ± .005
 .xxxx ± .0002
 FRACTIONS ± 1/32
 ANGLES ± 1°

DESCRIPTION

25mm EXTENSION TUBE
 w/ MALE TO FEMALE C60-RING MOUNTS

DRAWN BY/DATE

M.ANTHONY 11-16-2020

CHECKED BY/DATE

V.MARSO
 J.DANIELS 11-16-20

SCALE

1:1

REV

-

MATERIAL

6061, ANODIZED BLK

DRAWING #

C60-EXT-25