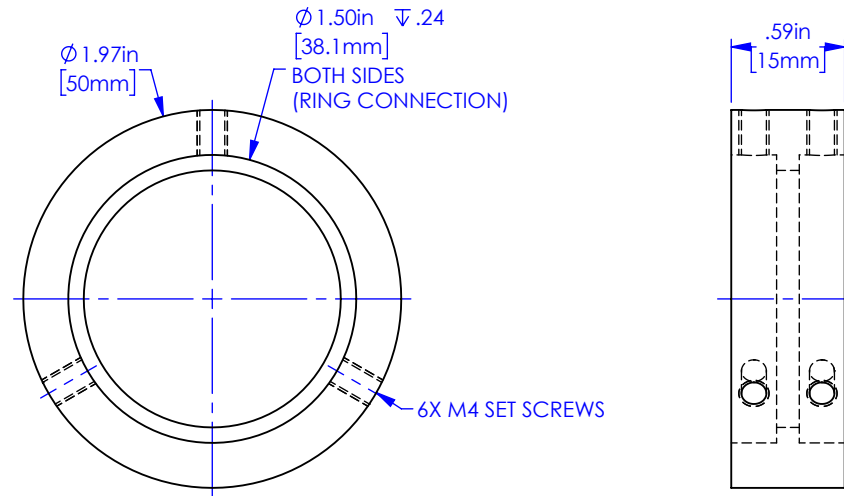


C60-EXT-15



Notes:
1. 34mm CLEAR APERTURE



PROPRIETARY AND CONFIDENTIAL
THE INFORMATION CONTAINED IN THIS DRAWING IS THE SOLE PROPERTY OF APPLIED SCIENTIFIC INSTRUMENTATION. ANY REPRODUCTION IN PART OR AS A WHOLE WITHOUT THE WRITTEN PERMISSION OF APPLIED SCIENTIFIC INSTRUMENTATION IS PROHIBITED.

APPLIED SCIENTIFIC INSTRUMENTATION
29391 W ENID RD
EUGENE, OR 97402-9533
PHONE: (541)461-8181
FAX: (541)461-4018

UNLESS OTHERWISE SPECIFIED
DIMENSIONS ARE IN INCHES
xx ± .01
.xxx ± .005
xxxx ± .0002
FRACTIONS ± 1/32
ANGLES ± 1°

DESCRIPTION
EXTENSION TUBE 15mm LONG
w/ FEMALE TO FEMALE C60-RING MOUNTS

DRAWN BY/DATE

M.ANTHONY 10-21-20

CHECKED BY/DATE

V.MARSO 10-21-20

SCALE

1:1

REV

0

MATERIAL

6061

DRAWING #

C60-EXT-15