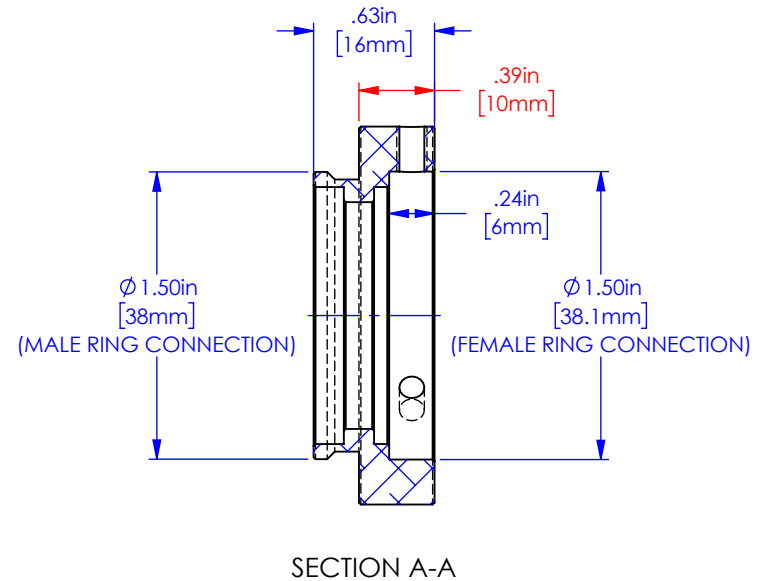
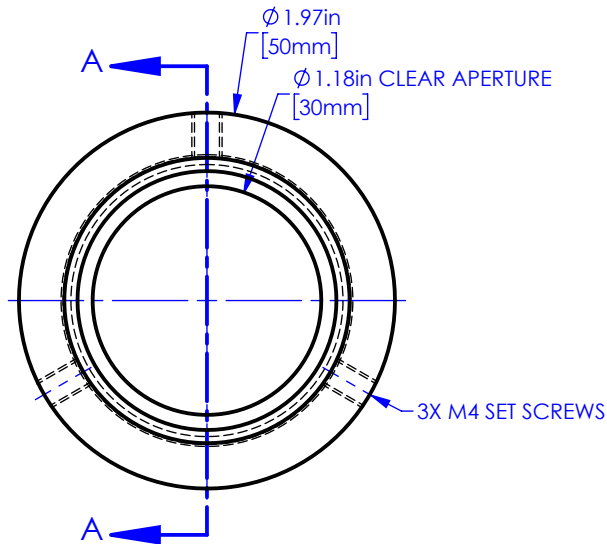


# C60-EXT-10



**PROPRIETARY AND CONFIDENTIAL**  
 THE INFORMATION CONTAINED IN THIS DRAWING IS THE SOLE PROPERTY OF APPLIED SCIENTIFIC INSTRUMENTATION. ANY REPRODUCTION IN PART OR AS A WHOLE WITHOUT THE WRITTEN PERMISSION OF APPLIED SCIENTIFIC INSTRUMENTATION IS PROHIBITED.

APPLIED SCIENTIFIC INSTRUMENTATION  
 29391 W ENID RD  
 EUGENE, OR 97402-9533  
 PHONE: (541)461-8181  
 FAX: (541)461-4018

UNLESS OTHERWISE SPECIFIED  
 DIMENSIONS ARE IN INCHES  
 .xx ± .01  
 .xxx ± .005  
 .xxxx ± .0002  
 FRACTIONS ± 1/32  
 ANGLES ± 1°

**DESCRIPTION**  
 10mm EXTENSION TUBE  
 w/MALE TO FEMALE C60-RING MOUNTS

**DRAWN BY/DATE**  
 M.ANTHONY 11-16-20

**CHECKED BY/DATE**  
 V.MARSO  
 J.DANIELS 11-16-20

**SCALE**  
 1:1

**REV**  
 -

**MATERIAL**  
 6061, ANODIZED BLK

**DRAWING #**  
 C60-EXT-10