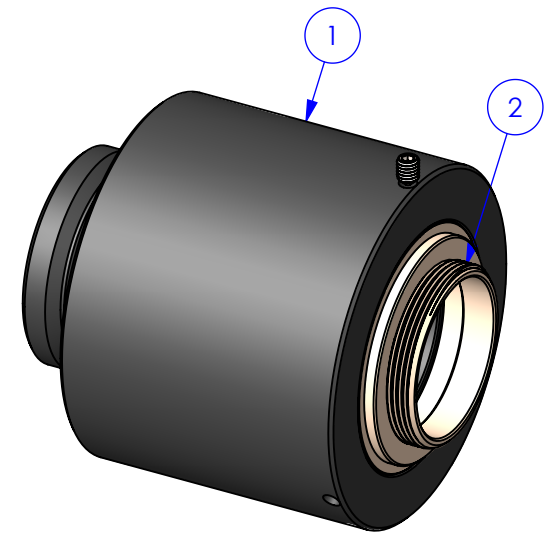
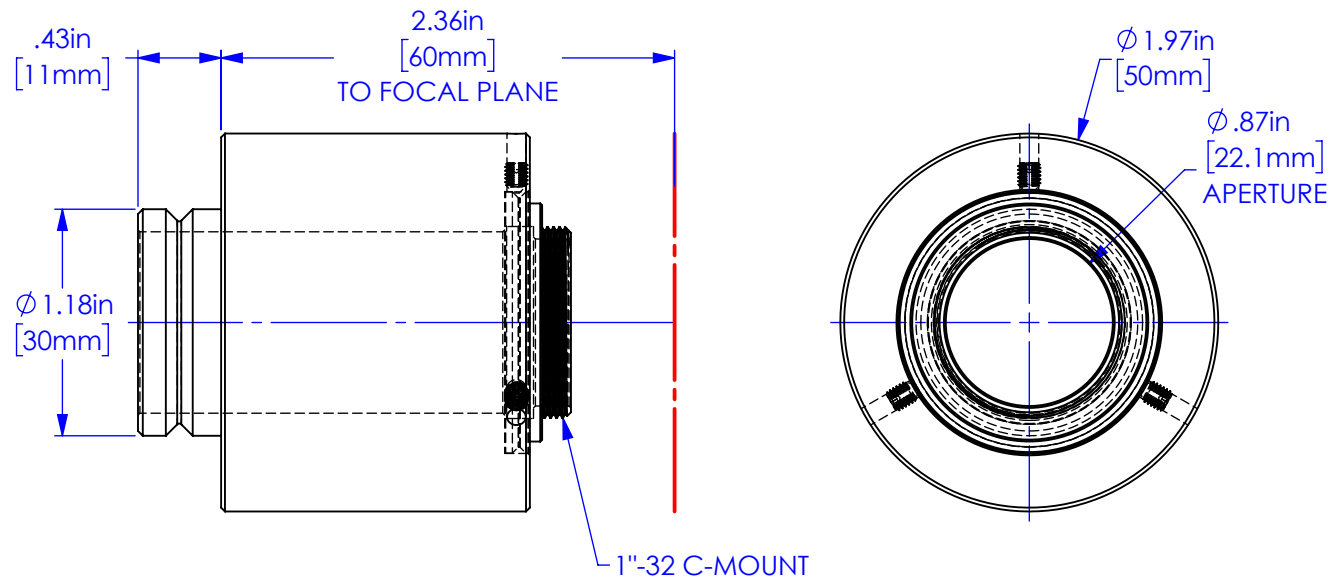


C60-5060-C MOUNT



ITEM NO.	PART NUMBER	QTY.
1	C60-5060-C MOUNT	1
2	FW-3010 MALE C-MOUNT	1



PROPRIETARY AND CONFIDENTIAL
 THE INFORMATION CONTAINED IN THIS DRAWING IS THE SOLE PROPERTY OF APPLIED SCIENTIFIC INSTRUMENTATION. ANY REPRODUCTION IN PART OR AS A WHOLE WITHOUT THE WRITTEN PERMISSION OF APPLIED SCIENTIFIC INSTRUMENTATION IS PROHIBITED.

APPLIED SCIENTIFIC INSTRUMENTATION
 29391 W ENID RD
 EUGENE, OR 97402-9533
 PHONE: (541)461-8181
 FAX: (541)461-4018

UNLESS OTHERWISE SPECIFIED
 DIMENSIONS ARE IN INCHES
 .xx ± .01
 .xxx ± .005
 .xxxx ± .0002
 FRACTIONS ± 1/32
 ANGLES ± 1°

DESCRIPTION

C60-5060-CM ASSEMBLY

DRAWN BY/DATE

M.ANTHONY 2-5-20

CHECKED BY/DATE

V.MARSO 2-5-20

SCALE

1:1

REV

-

MATERIAL

-

DRAWING #

C60-5060-C MOUNT