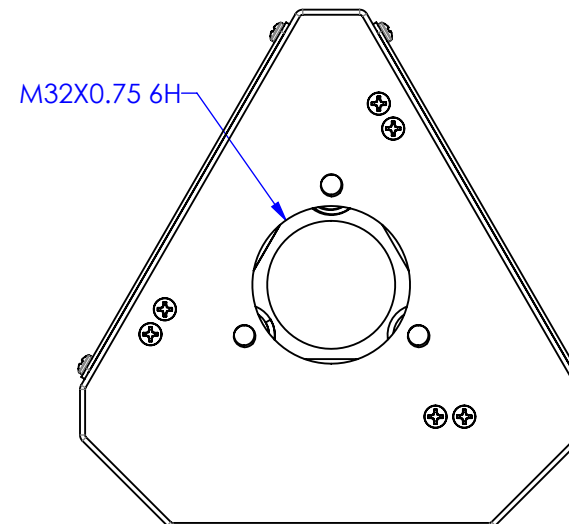
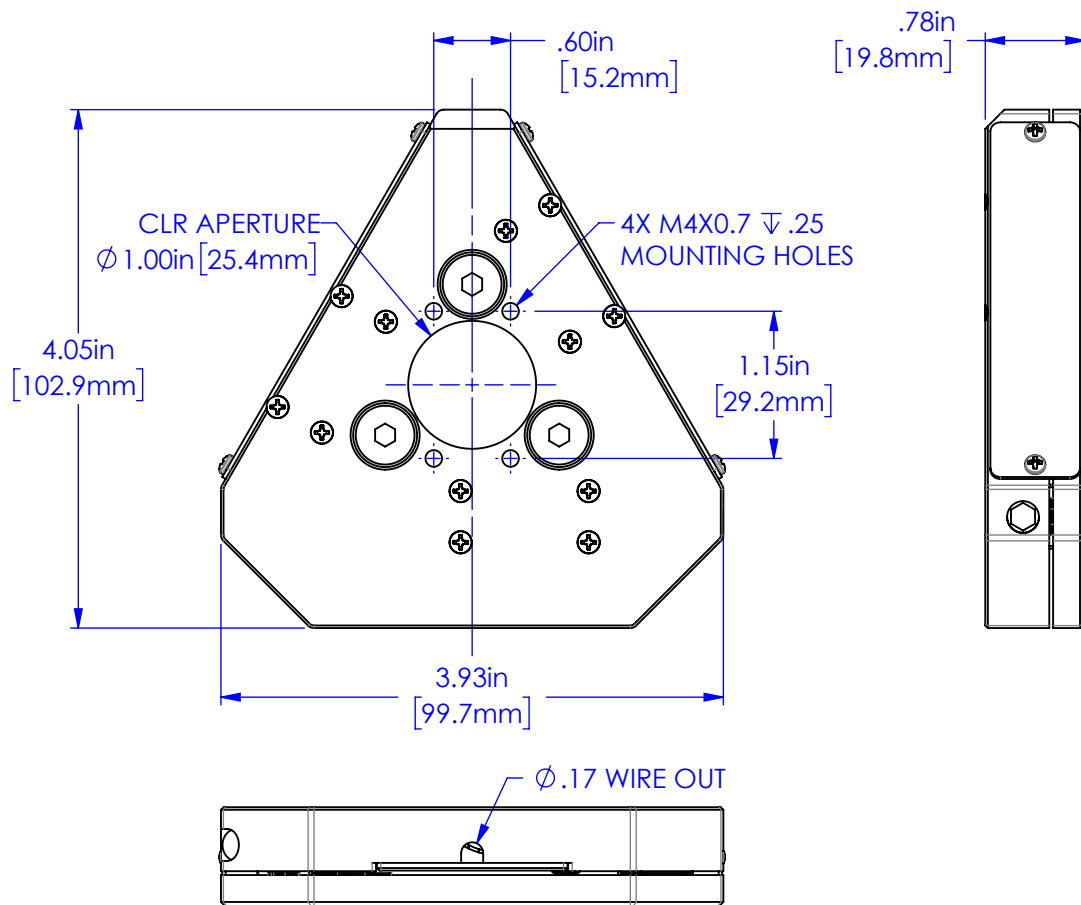
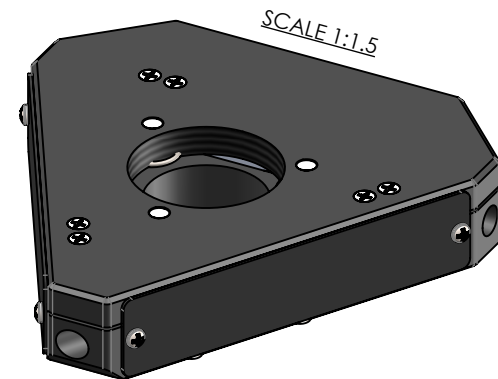


SPOM-3000



TRAVEL OPTIONS	
SPOM-3150	150µm
SPOM-3300	300µm
SPOM 3500	500µm



PROPRIETARY AND CONFIDENTIAL

THE INFORMATION CONTAINED IN THIS DRAWING IS THE SOLE PROPERTY OF APPLIED SCIENTIFIC INSTRUMENTATION. ANY REPRODUCTION IN PART OR AS A WHOLE WITHOUT THE WRITTEN PERMISSION OF APPLIED SCIENTIFIC INSTRUMENTATION IS PROHIBITED.

APPLIED SCIENTIFIC INSTRUMENTATION

29391 W ENID RD
EUGENE, OR 97402-9533
PHONE: (541)461-8181
FAX: (541)461-4018

UNLESS OTHERWISE SPECIFIED
.xx ± .01
.xxx ± .005
.xxxx ± .0002
FRACTIONS ± 1/32
ANGLES ± 1°

DESCRIPTION

**STABLE PIEZO
OBJECTIVE MOVER**

DRAWN BY/DATE
A. ARMSTRONG - 12/14/2020

CHECKED BY/DATE
V. MARSO - 12/14/2020

SCALE
1:1.5

REV
0

MATERIAL
-

DRAWING #
SPOM-3000 - CATALOG DRAWING.SLDDRW