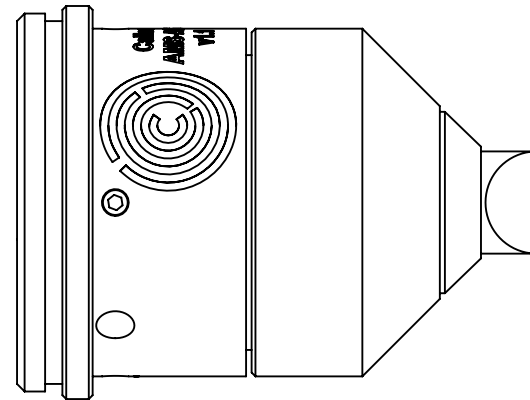
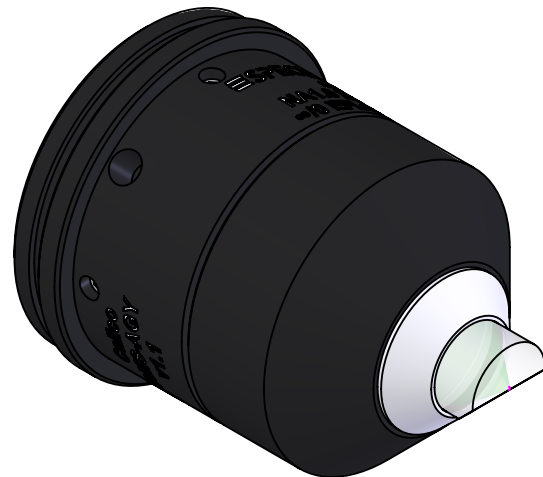
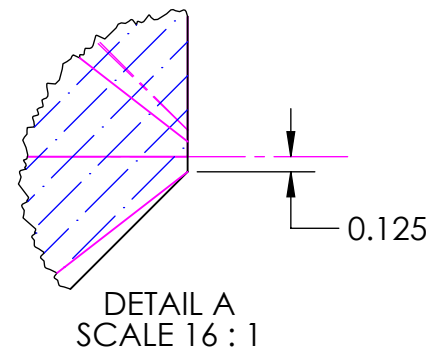
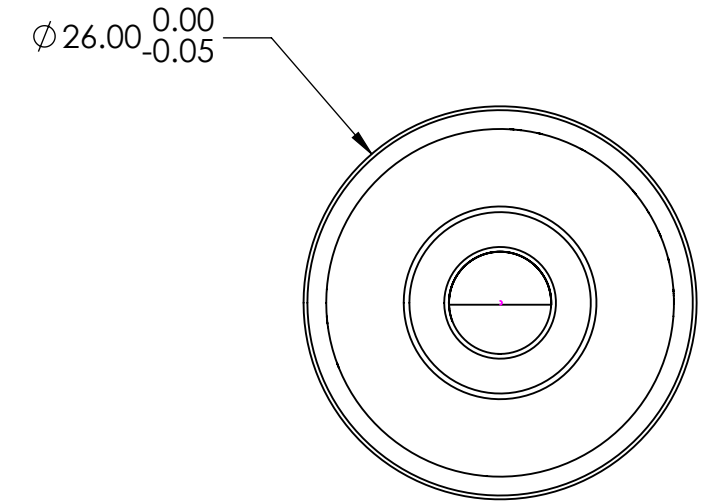
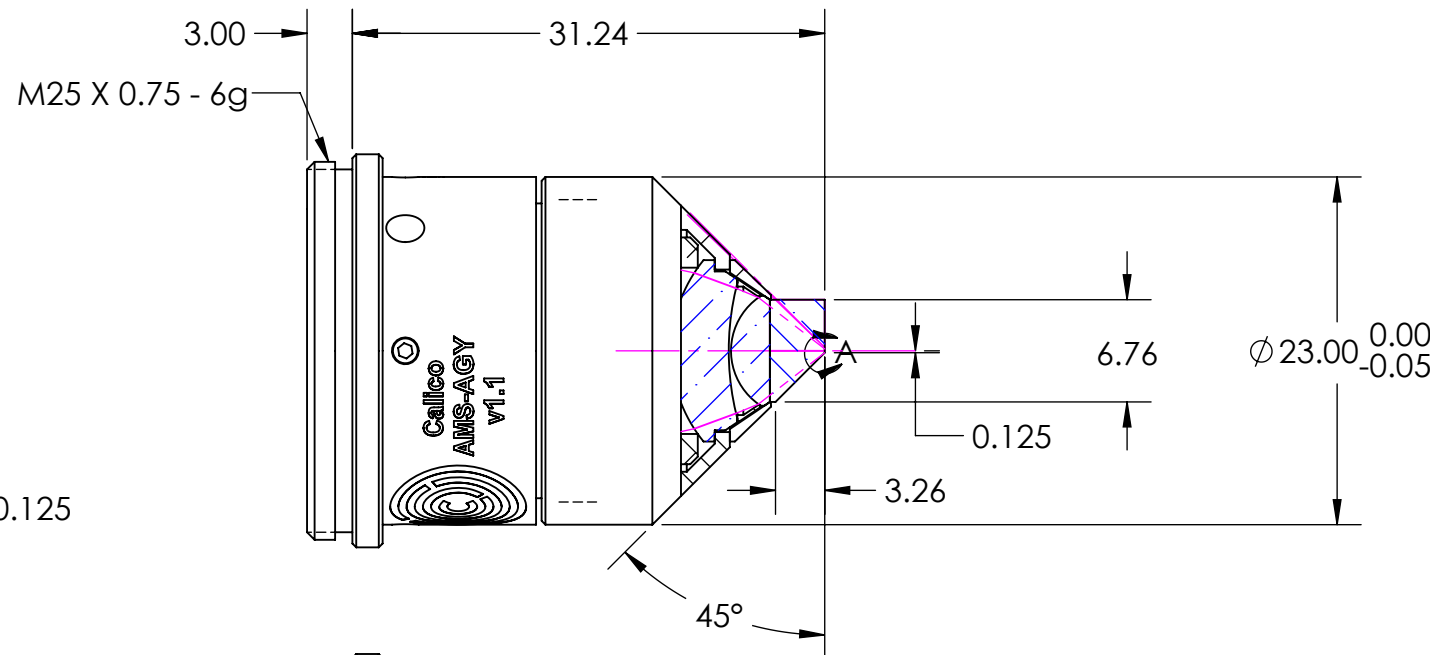
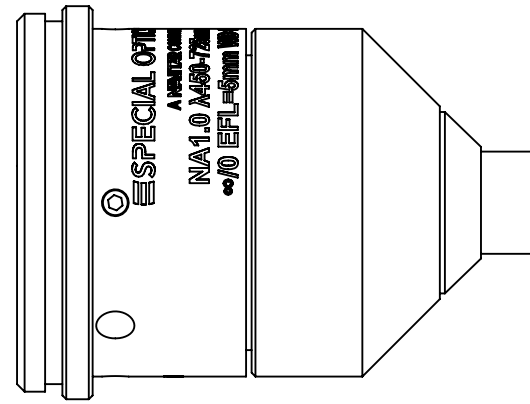


NOTES:

- 1) ALL MECHANICALS PARTS: ALUMINUM 6061-T6
- FINISH: ANODIZE, MIL-A8625, TYPE II, CLASS II, BLACK FLAT
- RoHS COMPLIANT

REVISIONS				
ZONE	REV.	DESCRIPTION	DATE	APPROVED
	-	PROTOTYPE	2/26/2019	
	A	REVISED PER CUSTOMER REQUESTED CHANGES	2/28/2019	
	B	UPDATED ENGRAVING AND DRAWING VIEWS	8/2/2019	JO



<p>PROPRIETARY AND CONFIDENTIAL</p> <p>THE INFORMATION CONTAINED IN THIS DRAWING IS THE SOLE PROPERTY OF SPECIAL OPTICS. ANY REPRODUCTION IN PART OR AS A WHOLE WITHOUT THE WRITTEN PERMISSION OF SPECIAL OPTICS IS PROHIBITED.</p>	<p>UNLESS OTHERWISE SPECIFIED DIMENSIONS ARE IN MILLIMETERS AND INCLUDE CHEMICALLY APPLIED OR PLATED FINISHES.</p> <p>DRAWING COMPLIES WITH ASME Y14.5M-1994</p>	<p>OUTLINE</p>		<p>SPECIAL OPTICS® Special Optics Inc. 3 Stewart Court Denville, NJ 07834 A NANITAR COMPANY</p>											
	<p>UNLESS OTHERWISE SPECIFIED DIMENSIONS ARE BASIC</p> <p>LINEAR TOL. : X=±.5 .X=±.25 .XX=±.13 ANGULAR TOL. : X°=±.25° .X°=±.05° .XX°=±.005°</p>	<table border="1"> <tr> <td>DRAWN:</td> <td>AFP</td> <td>DATE</td> <td>02/26/2019</td> </tr> <tr> <td>CHECKED:</td> <td>JO</td> <td>DATE</td> <td>8/2/2019</td> </tr> <tr> <td>PROJECT #:</td> <td colspan="3">XXX</td> </tr> </table>	DRAWN:	AFP	DATE	02/26/2019	CHECKED:	JO	DATE	8/2/2019	PROJECT #:	XXX			<p>TITLE:</p> <p style="text-align: center;">ASSEMBLY</p> <p style="text-align: center;">54-10-5 @ 450 - 725nm</p>
DRAWN:	AFP	DATE	02/26/2019												
CHECKED:	JO	DATE	8/2/2019												
PROJECT #:	XXX														
<p>MATERIAL:</p> <p style="text-align: center;">AS NOTED</p>	<p>FINISH:</p> <p style="text-align: center;">SEE NOTE</p>	<p>THIRD ANGLE PROJECTION</p>		<p>SIZE</p> <p style="text-align: center;">B</p>	<p>PART NUMBER</p> <p style="text-align: center;">1-29444</p>	<p>REV</p> <p style="text-align: center;">B</p>									
<p>DO NOT SCALE DRAWING</p>		<p>MAX. SURF. ROUGHNESS: 0.4/√</p>		<p>SCALE: 2:1</p>	<p>WEIGHT: 29.80g</p>	<p>SHEET 1 OF 2</p>									