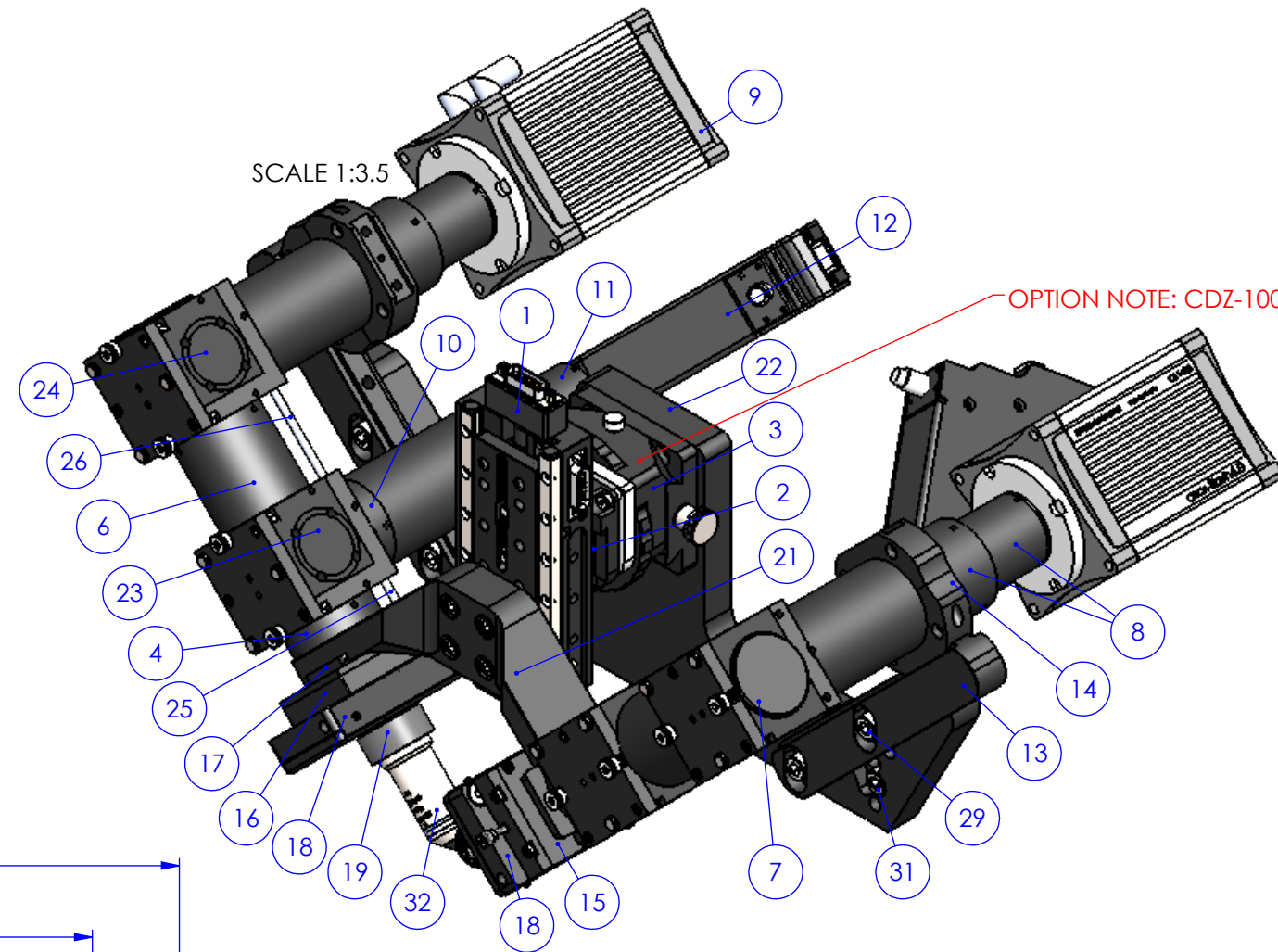


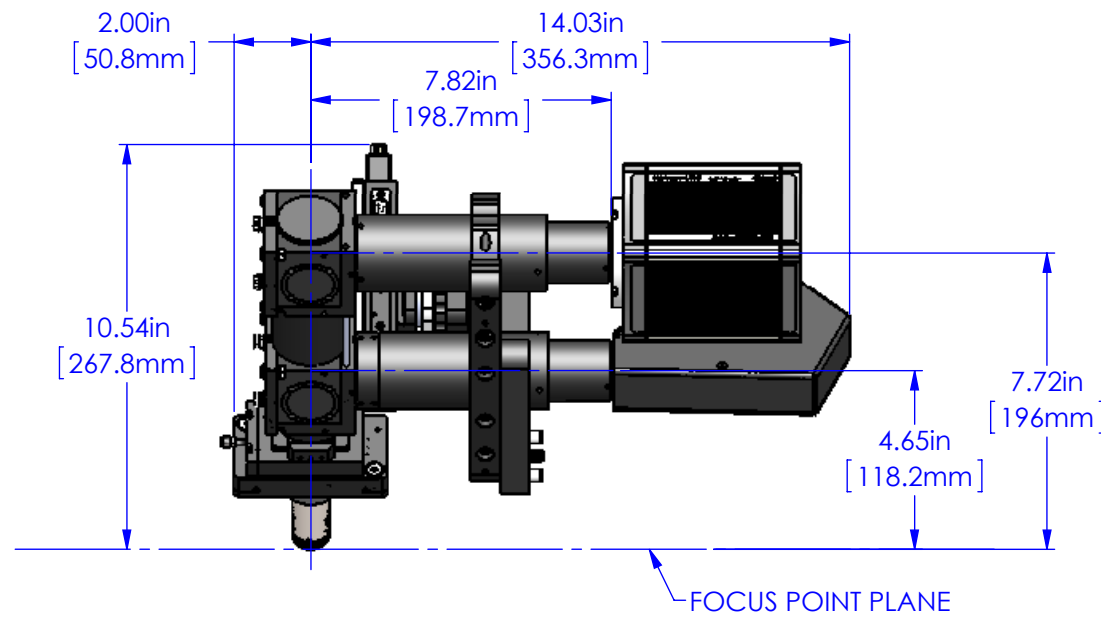
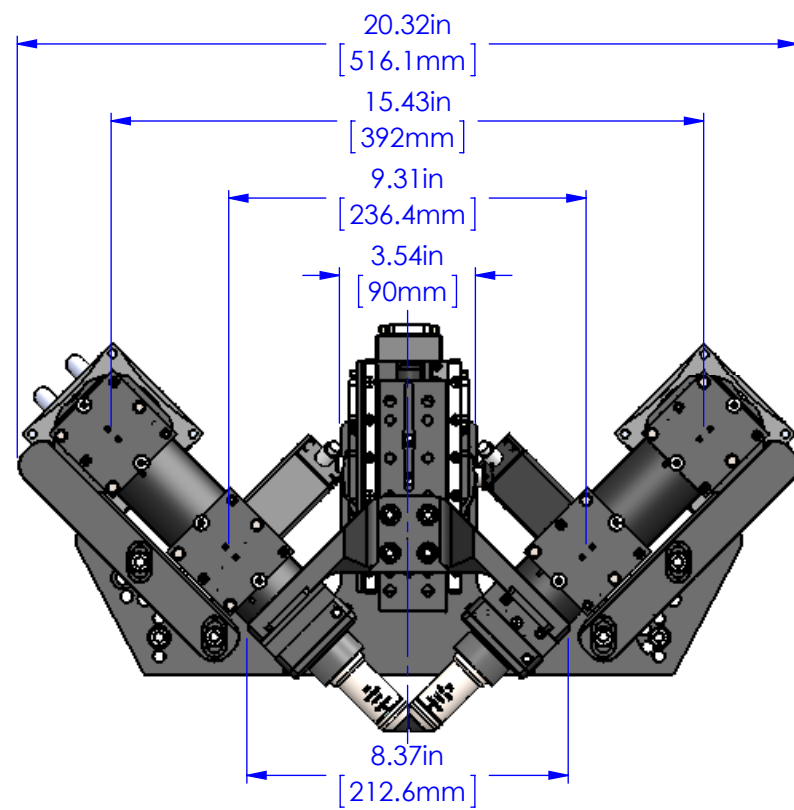
DEFAULT diSpim - UPRIGHT SECTION



SCALE 1:3.5

OPTION NOTE: CDZ-1000 ASSEMBLY REPLACEMENT BLOCK IS AVAILABLE

ITEM NO.	PART NUMBER	QTY.
1	LS-50 LE	1
2	CDZ-1011 C DRIVEN SLIDE	1
3	CDZ-1000 ASSEMBLY	1
4	C60-RAO	2
5	C60-RING-A with cutout F. 32mm Dia Filter	6
6	C60-EXTENSION-TUBE 50	2
7	C60-COVER	2
8	C60-TUBE_B ASSEMBLY (MIM-TUBE-KIT)	2
9	Camera REP, Hamamatsu Flash-4 #C11440-22CU	2
10	C60-EXTENSION-TUBE 15	2
11	C60-TUBE-160-ASSEMBLY	2
12	C60-SCAN75 3 ASSEMBLY	2
13	ABTS-1036 SUPPORT BAR diSpim	2
14	ABTS-1013 MIM CLAMP	4
15	PZMAG DOVETAIL LP ASSEMBLY - (Typical diSpim Setup)	1
16	DLPS-02 - LP REPLACEMENT SPACER	1
17	PZMAG-RAO-M25 1003D DOVETAIL ADAPTER PLATE	1
18	PZMAG-RAO-M25 ASSEMBLY	2
19	RAO-0027 JAM BUSHING	2
20	RAO-0027-TL - THREAD LOCK (0.031 PTFE)	6
21	RAO-0046 ASSM - Dovetail Version	1
22	ABTS-1033 RISER CROSS BAR diSpim	1
23	C60-FILTER CUBE ASSEMBLY - w. D-CUBE B	2
24	C60-FILTER CUBE ASSEMBLY w. 30mmBS-HOLDER	2
25	M4 Dowel Pin, 24mm L, Alloy Steel, McMasterCarr #91595A173	2
26	M4 Dowel Pin, 60mm L, Alloy Steel, McMasterCarr #91595A192	4
27	M6x1 SHCS, 20mm L, 18-8 SS, McMasterCarr #91292A137	4
28	M6x1 SHCS, 30mm L, 18-8 SS, McMasterCarr #91292A139	4
29	M8x1.25 SHCS, 30mm L, 18-8 S.S., McMasterCarr #91292A149	4
30	M8 Dowel Pin, 14mm L, 18-8 S.S., McMasterCarr #91585A187	4
31	M8x1.25 SHCS, 20mm L, 18-8 S.S., McMasterCarr #91292A147	2
32	Objective-Nikon 40X-NIR APO-0.80w-DIC N2-WD3.5	2



\\SERVIO1\Shared\Design\C60-Modular Microscope\UPRIGHT MIM ASSEMBLIES



PROPRIETARY AND CONFIDENTIAL
 THE INFORMATION CONTAINED IN THIS DRAWING IS THE SOLE PROPERTY OF APPLIED SCIENTIFIC INSTRUMENTATION. ANY REPRODUCTION IN PART OR AS A WHOLE WITHOUT THE WRITTEN PERMISSION OF APPLIED SCIENTIFIC INSTRUMENTATION IS PROHIBITED.

APPLIED SCIENTIFIC INSTRUMENTATION
 29391 W ENID RD
 EUGENE, OR 97402-9533
 PHONE: (541)461-8181
 FAX: (541)461-4018

UNLESS OTHERWISE SPECIFIED
 .XX ± .01
 .XXX ± .005
 .XXXX ± .0002
 FRACTIONS ± 1/32
 ANGLES ± 1°

DESCRIPTION

-ASSEMBLY OF A COMMON UPRIGHT diSpim CONFIGURATION

DRAWN BY/DATE	CHECKED BY/DATE	SCALE	REV	MATERIAL	DRAWING #
M.ANTHONY 9-10-2015	XXXXXX	1:5	0	VARIES, MOSTLY 6061	UPRIGHT MIM ASSEMBLIES.SLDDRW