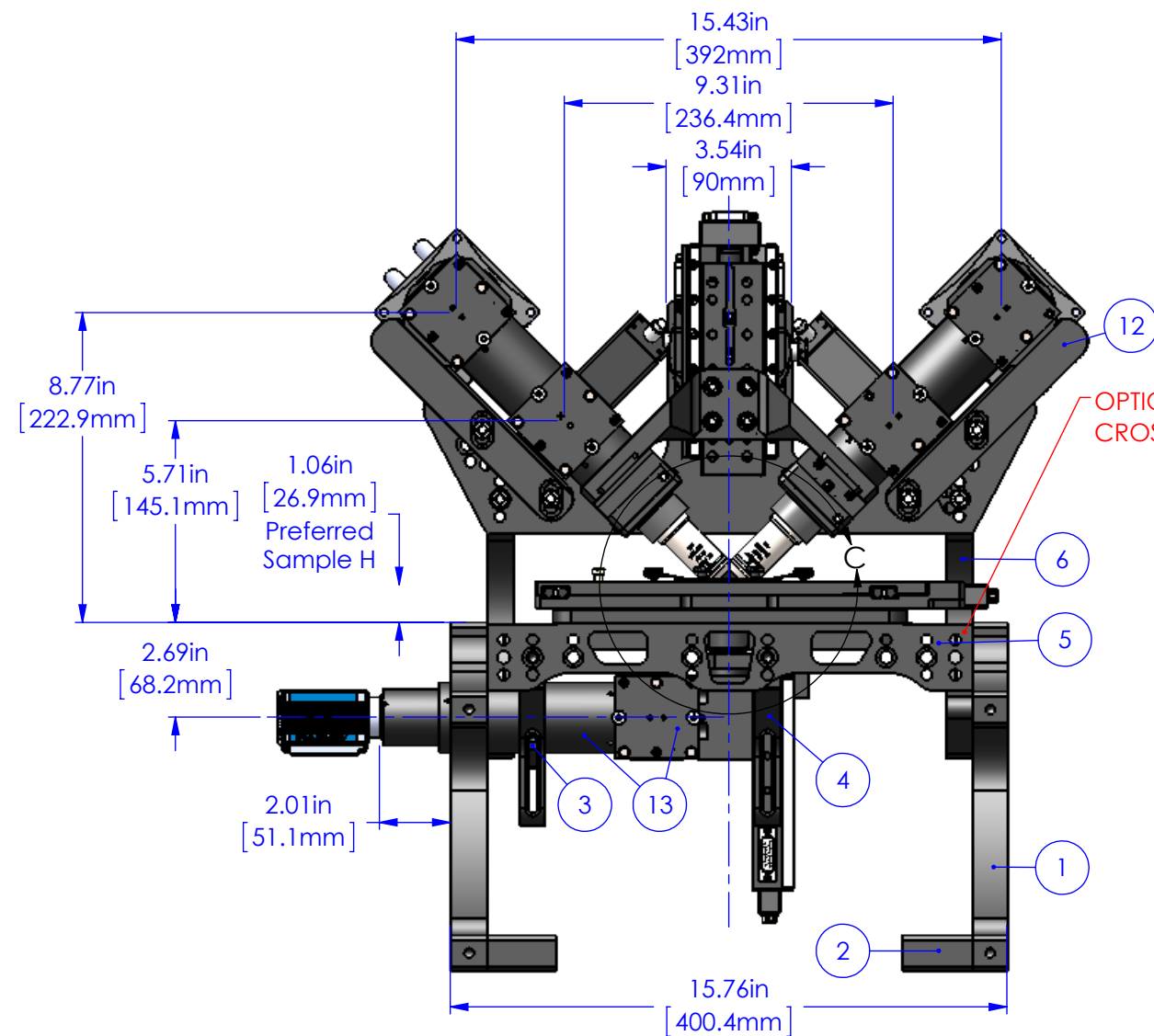
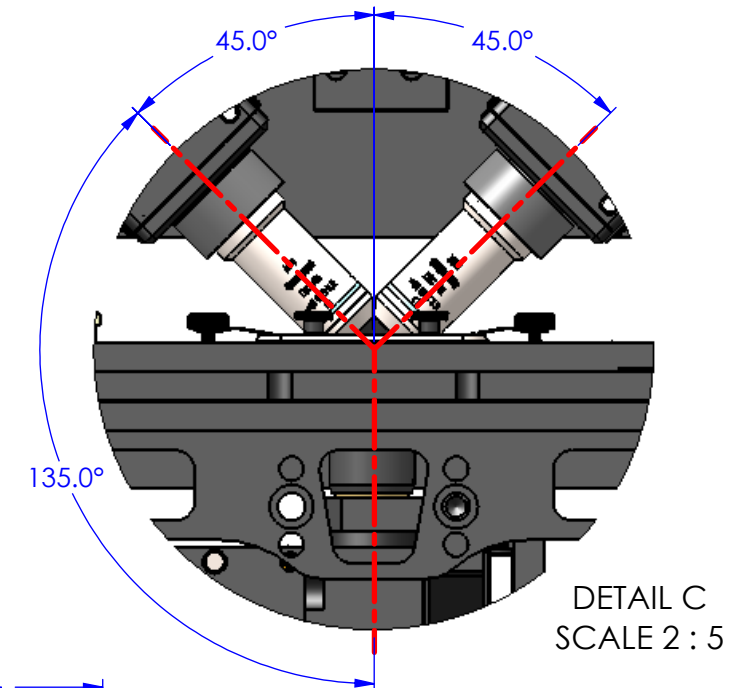
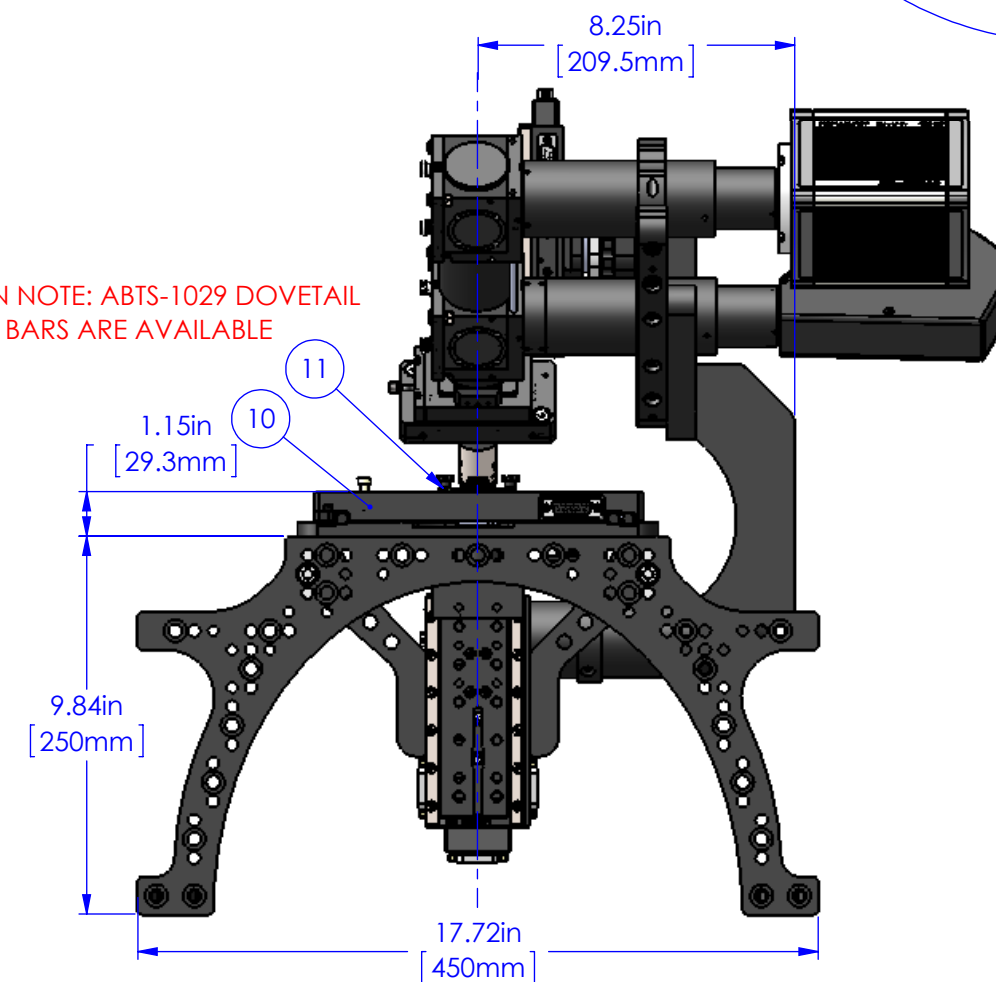


# DEFAULT diSpim - RAMM SECTION



OPTION NOTE: ABTS-1029 DOVETAIL CROSS BARS ARE AVAILABLE



ITEM NO.	PART NUMBER	diSpim DEFAULT CONFIG
1	ABTS-1001 UPRIGHT	2
2	ABTS-1002 FOOT CLAMP	4
3	ABTS-1013 MIM CLAMP	2
4	ABTS-1016 VERTICAL SUPPORT	4
5	ABTS-1017 CROSS BAR	2
6	ABTS-1032 RISER diSpim	2
10	IX81 FTHE ASSEMBLY	1
11	I-3078 COVER SLIP ASSM	1
12	DEFAULT diSpim Config - F. Parts List see Upright MIM Assemblies Drawing Pg.1	1
13	diSPIM DEFAULT MIM (MOST COMMON SETUP FOR diSPIM)	1

\\SERVIO1\Shared\Design\Other Stuff\RAMM\RAMM SYSTEM ASSEMBLIES



**PROPRIETARY AND CONFIDENTIAL**  
 THE INFORMATION CONTAINED IN THIS DRAWING IS THE SOLE PROPERTY OF APPLIED SCIENTIFIC INSTRUMENTATION. ANY REPRODUCTION IN PART OR AS A WHOLE WITHOUT THE WRITTEN PERMISSION OF APPLIED SCIENTIFIC INSTRUMENTATION IS PROHIBITED.

APPLIED SCIENTIFIC INSTRUMENTATION  
 29391 W ENID RD  
 EUGENE, OR 97402-9533  
 PHONE: (541)461-8181  
 FAX: (541)461-4018

UNLESS OTHERWISE SPECIFIED  
 .XX ± .01  
 .XXX ± .005  
 .XXXX ± .0002  
 FRACTIONS ± 1/32  
 ANGLES ± 1°

DESCRIPTION  
**-DEFAULT diSpim RAMM FRAME ASSEMBLY**  
**-w/Key Dimensions**

DRAWN BY/DATE	CHECKED BY/DATE	SCALE	REV	MATERIAL	DRAWING #
M.ANTHONY 12-8-2014	XXXXXX	1:5	0	VARIES, MOSTLY 6061	RAMM SYSTEM ASSEMBLIES.SLDDRW