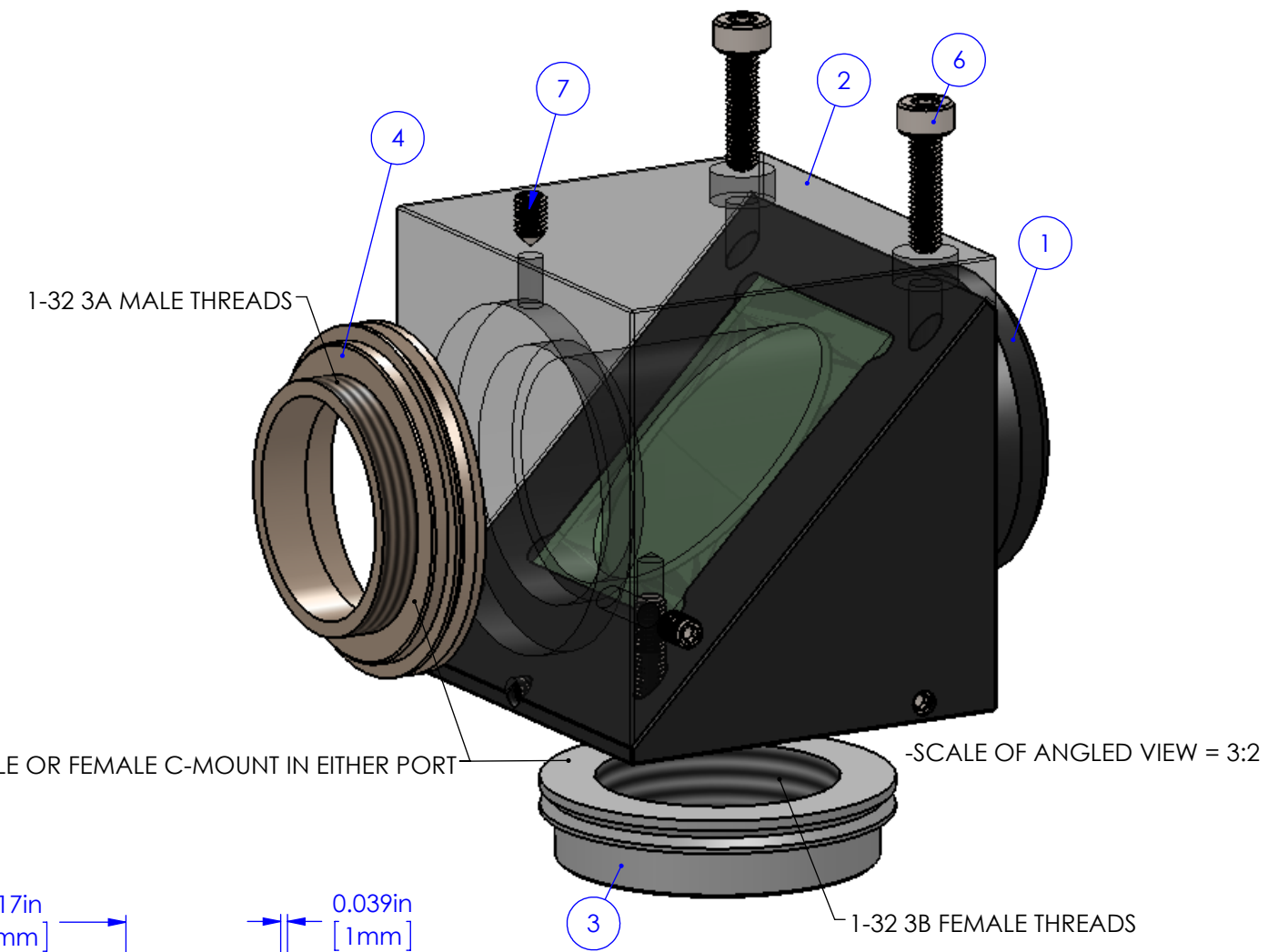
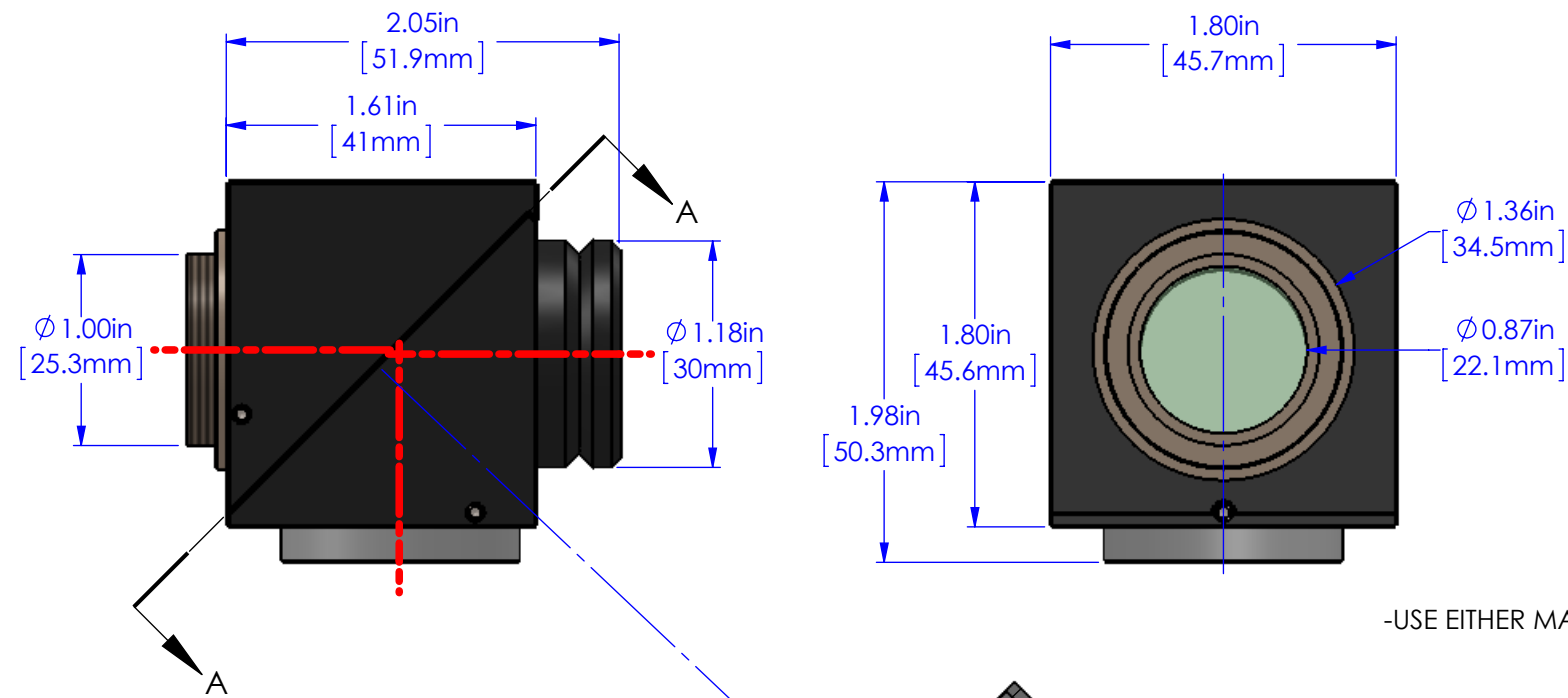
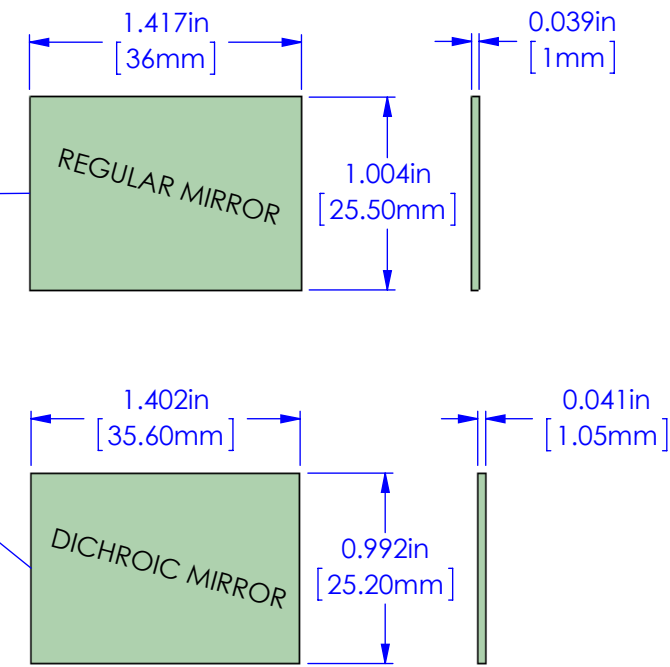
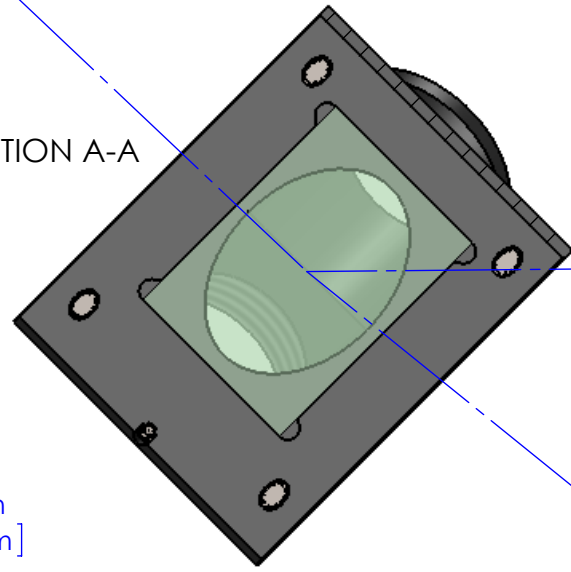


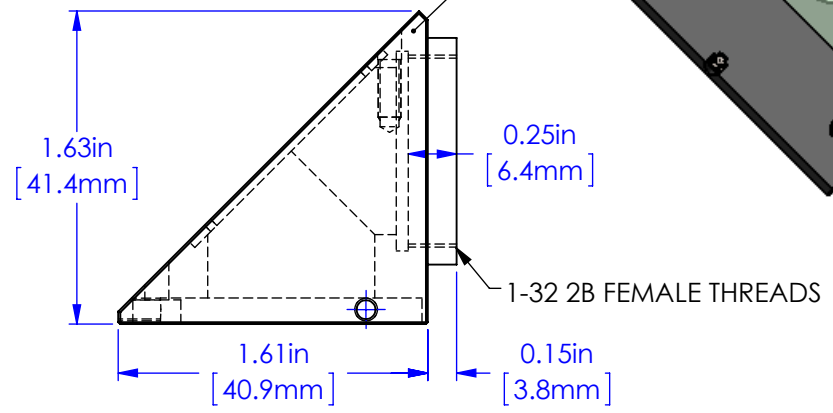
DCMS ASSEMBLY



SECTION A-A



C-202-F IS AN **OPTION** TO TAKE THE PLACE OF THE C-202 DCMS CUBE BOTTOM



ITEM NO.	PART NUMBER	QTY.
1	C-202 DCMS CUBE BOTTOM	1
2	C-203 DCMS CUBE TOP	1
3	FW-3009 FEMALE C-MOUNT	1
4	FW-3010 MALE C-MOUNT	1
6	M3x0.5 SHCS, 12mm L, 18-8 S.S., McMasterCarr #91292A114	4
7	M3x0.5 Cone Point Set Screw, 5mm L, 18-8 S.S., McMasterCarr #91217A060	6

\\SERVIO1\Shared\Design\Shutters&Adapters\C-MOUNT SPLITTER\DCMS ASSEMBLY



PROPRIETARY AND CONFIDENTIAL
 THE INFORMATION CONTAINED IN THIS DRAWING IS THE SOLE PROPERTY OF APPLIED SCIENTIFIC INSTRUMENTATION. ANY REPRODUCTION IN PART OR AS A WHOLE WITHOUT THE WRITTEN PERMISSION OF APPLIED SCIENTIFIC INSTRUMENTATION IS PROHIBITED.

APPLIED SCIENTIFIC INSTRUMENTATION
 29391 W ENID RD
 EUGENE, OR 97402-9533
 PHONE: (541)461-8181
 FAX: (541)461-4018

UNLESS OTHERWISE SPECIFIED
 .XX ± .01
 .XXX ± .005
 .XXXX ± .0002
 FRACTIONS ± 1/32
 ANGLES ± 1°

DESCRIPTION
 DRAWN BY/DATE: M.ANTHONY 8-1-2012
 CHECKED BY/DATE: V.MARSO
 SCALE: 1:1
 REV: 0
 DRAWING #

-DCMS ASSEMBLY
 DCMS ASSEMBLY.SLDDRW