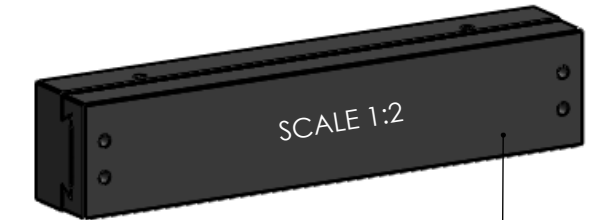
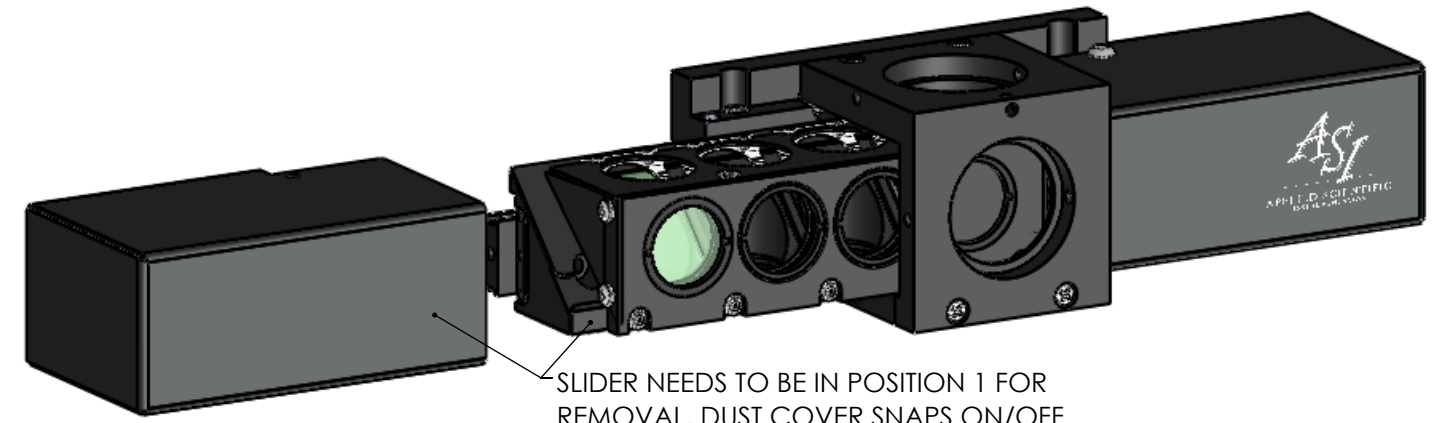
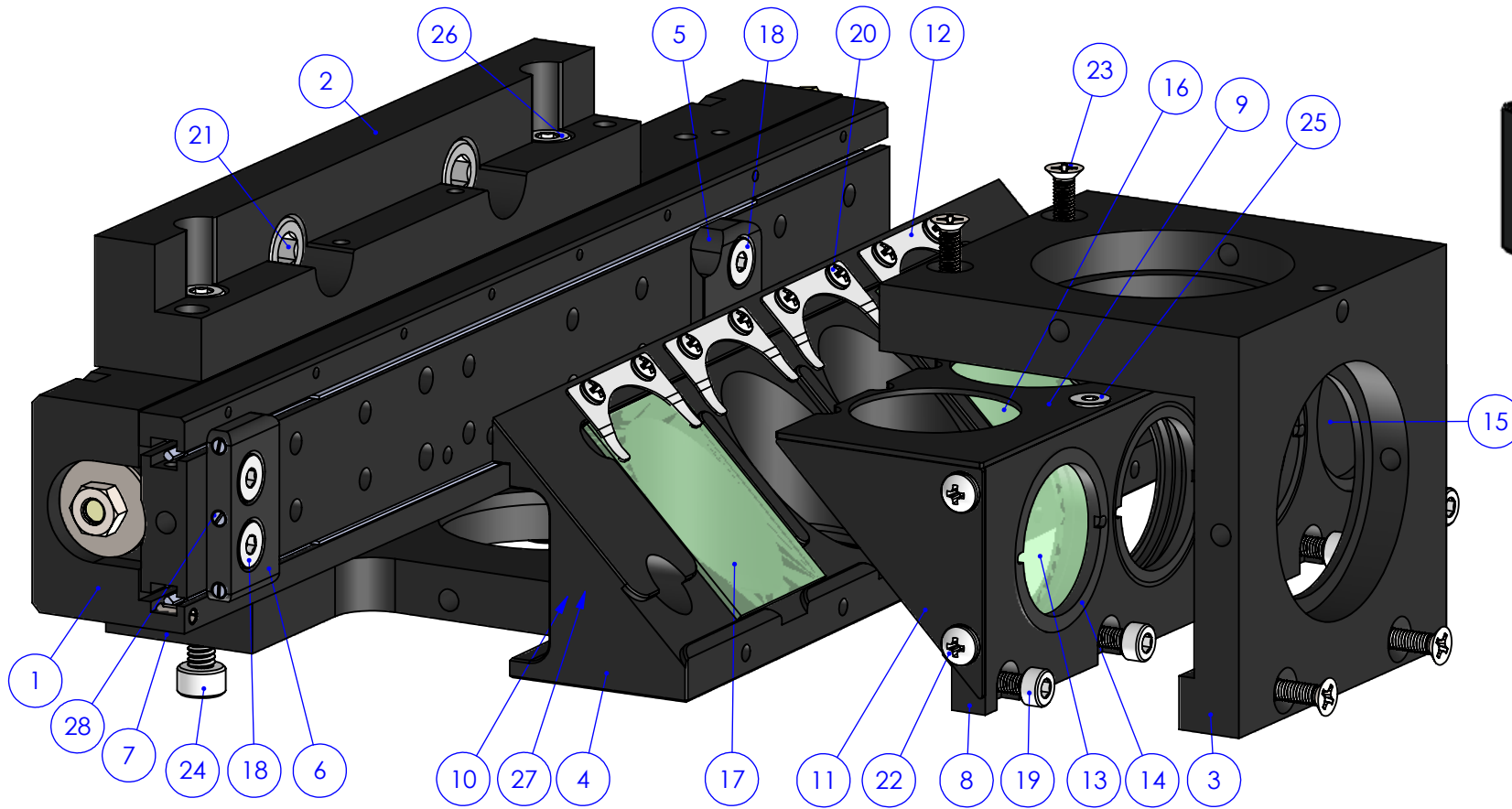
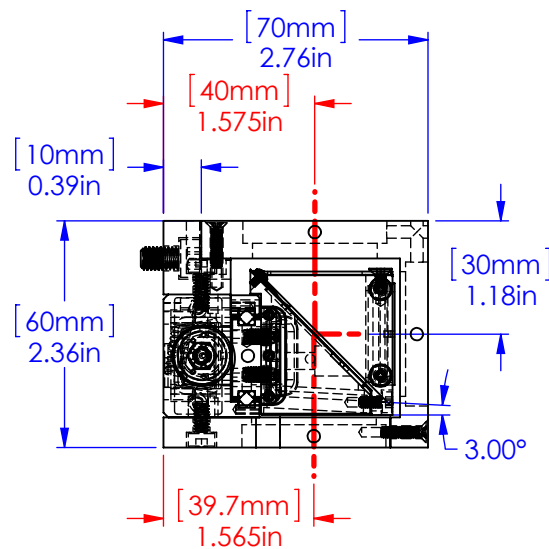
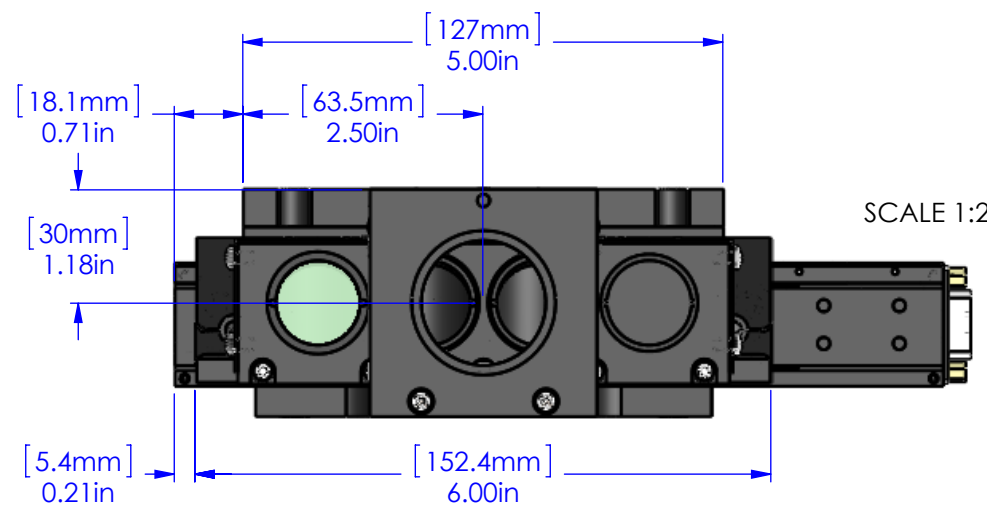


C60-SLIDER ASSEMBLY



C60-SLIDER DOVE POSITIONER ASSEMBLY,
MANUAL OPTION TO USE IN PLACE OF LP-1000 ASSEMBLY

ITEM NO.	PART NUMBER	QTY.
1	LP-1000 ASSEMBLY	1
2	C60-SLIDER MOUNTING ADAPTER	1
3	C60-SLIDER PORTS	1
4	C60-SLIDER	1
5	C60-SLIDER MOUNTING BLOCK DOVE	1
6	C60-SLIDER MOUNTING BLOCK	1
7	C60-SLIDER BOTTOM PORT	1
8	C60-SLIDER COVER PORT	1
9	C60-SLIDER PHENOLIC COVER	1
10	C60-SLIDER BALL NOSE SPRING PLUNGER HOLDER	1
11	C60-SLIDER PHENOLIC COVER SIDE	2
12	C60-SLIDER SPRING	4
13	5mm LENS REP	1
14	FW-1014 SRR	4
15	FW-1015B - FILTER WHEEL BLANK - Ø1.0in	1
16	DICHROIC MIRROR - 25.20mm x 35.60mm x 1.05mmT	1
17	REGULAR MIRROR REP - 25.5mm x 36mm x 1mm	1
18	M4x0.7 SHCS Low Profile, 6mm L, 18-8 S.S., McMasterCarr #92855A403	4
19	M3x0.5 SHCS, 6mm L, 18-8 S.S., McMasterCarr.com #91292A111	5
20	M2x0.4 Pan Head Phillips Machine Screw, 3mm L, 18-8 S.S., McMasterCarr #92000A010	8
21	M6x1 SHCS, 10mm L, 18-8 S.S., McMasterCarr #91292A441	2
22	M3x0.5 Pan Head Phillips Machine Screw, 5mm L, 18-8 S.S., McMasterCarr #92000A114	4
23	M3x0.5 Flat Head Phillips Machine Screw, 12mm L, 18-8 SS, McMasterCarr #92010A122	4
24	M4x0.7 SHCS, 8mm L, 18-8 S.S., McMasterCarr #91292A108	2
25	M3x0.5 Flat Head SCS, 5mm L, 18-8 SS, McMasterCarr #92125A125	2
26	M4x0.7 SHCS, 10mm L, 18-8 S.S., McMasterCarr #91292A116	2
27	M2x0.4 FHMS, 5mmL, 18-8 SS, McMasterCarr #92010A002	2
28	M3X0.5 Ball-Nose Spring Plunger w Lock Element, 7mm L, 18-8 S.S., .7-1 lb Nose Force , McMasterCarr #85015A31	3



REV.1 CHANGED ASSEMBLY TO A "SNAP IN" DESIGN, SLIDER IS EASILY REMOVEABLE AND SELF POSITIONING. M.ANTHONY
 REV.2 ADDED PROVISIONS FOR LEFT AND RIGHT SIDE DUST COVERS. M.ANTHONY 12-9-2014

\\SERVIO1\Shared\Design\C60-Modular Microscope\C60-SLIDER ASSEMBLY



PROPRIETARY AND CONFIDENTIAL
 THE INFORMATION CONTAINED IN THIS DRAWING IS THE SOLE PROPERTY OF APPLIED SCIENTIFIC INSTRUMENTATION. ANY REPRODUCTION IN PART OR AS A WHOLE WITHOUT THE WRITTEN PERMISSION OF APPLIED SCIENTIFIC INSTRUMENTATION IS PROHIBITED.

APPLIED SCIENTIFIC INSTRUMENTATION
 29391 W ENID RD
 EUGENE, OR 97402-9533
 PHONE: (541)461-8181
 FAX: (541)461-4018

UNLESS OTHERWISE SPECIFIED
 .XX ± .01
 .XXX ± .005
 .XXXX ± .0002
 FRACTIONS ± 1/32
 ANGLES ± 1°

DESCRIPTION
 SLIDER THAT WILL SNAP IN TO THE ASSEMBLY WITHOUT TOOLS, SELF POSITIONING
 -USES REV.4 C60-SLIDER
 -MOVE C60-SLIDER TO POSITION 1 FOR REMOVAL

DRAWN BY/DATE	CHECKED BY/DATE	SCALE	REV	MATERIAL	DRAWING #
M.ANTHONY 4-18-2014	V.MARSO	1:1	1	VARIES-MOSTLY 6061	C60-SLIDER ASSEMBLY.SLDDRW