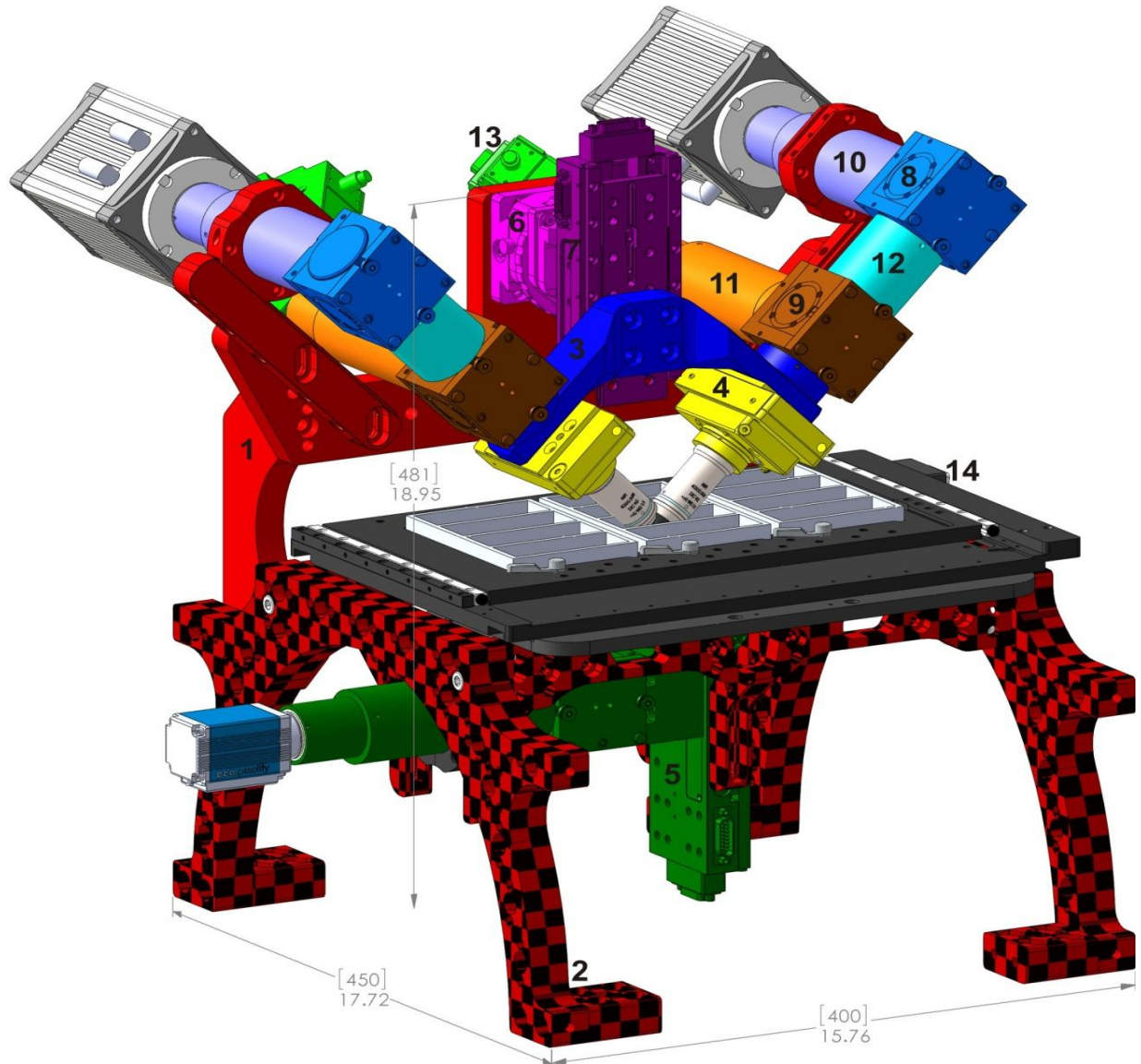


## diSpim on Ramm Parts List

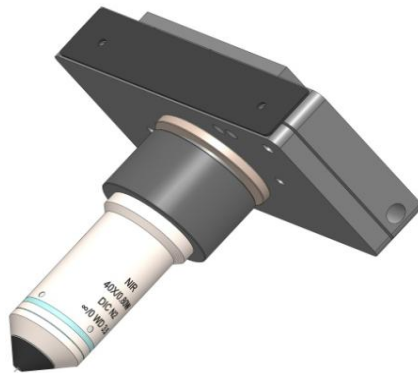
#	COLOR	PART/KIT #	DESCRIPTION
1	RED	SPIM-MOUNT	Parts kit to mount the diSpim onto the RAMM
2	RED+CHECKER	SPIM-RAMM	RAMM Frame with SPIM-MOUNT
3	DK. BLUE	RAO-OBJ-PAIR-MOUNT KIT	Either a 3pc kit or a one piece design part # RAO-0046
4	YELLOW	APZ OBJ-XXX	Piezo Objective Movers - see some options on the next page
5	DK. GREEN	MIM-INVERTED-BASIC-II	Inverted Modular Microscope
6	PINK	CDZ-1000 ASSEMBLY	8mm Total travel, Centering Stage
7	PURPLE	LS-50M	Linear Stage - 50mm Travel
8	LT. BLUE	MIM-CUBE-II-K	w/C60-25mm-RA-MIRROR
9	BROWN	MIM-CUBE-II-K	w/C60-D-CUBE Fluorecence Filter Cube
10	VIOLET	MIM-TUBE-K	200mm Nikon Tube Lens + C-Mount
11	ORANGE	MIM-TUBE-160-K	160mm Excitation Tube Lens
12	TEAL	C60-EXTENSION-TUBE 50	50mm Extension
13	LT. GREEN	MM-SCAN_1M	Fiber Input Light Sheet Scanner
14	BLACK	MS-2500 w/ TI-2517 TOP P	Top Plate holds 3 Well Plates



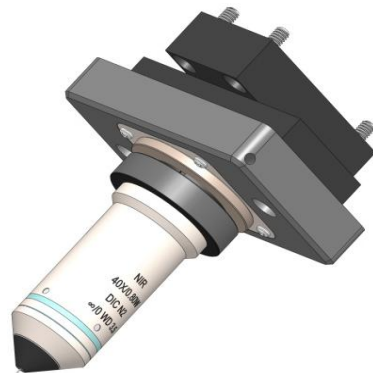
# APZ OBJ-XXX OPTIONS



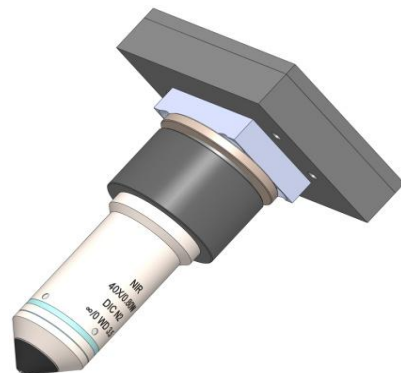
PZ, X-Y ADJUSTABLE



PZ FIXED



NO PZ, X-Y ADJUSTABLE



NO PZ, FIXED