

Modular Infinity Microscope

ASI's modular microscope system offers a flexible solution for specialized applications. Major components are connected together with a universal mating ring which provides accurate alignment with rotational flexibility.

Basic Components:

- **Tube Lens Section** - image forming section with 200 mm f.l. tube lens.
- **C-mount** - camera port.
- **Infinity Space Beam Splitter Cube** – can be used for Epi-fluorescence filter cube or as right-angle objective adapter.
- **Objective Adapter** – options for Nikon CFI60, Mitutoyo, or Olympus RMS thread objectives.
- **Universal Coupling** – used on all infinity-space components for design flexibility.

Optional Components:

- **C-mount Beam Splitter** – provides a second camera / detector port.
- **Filter Wheel Adapter** – use with ASI FW1000 filter wheel.
- **Motorized positioner** – use ASI LS-50 stage to focus the microscope system.
- **Inverted or Upright test stand and ASI motorized stages**

Specifications

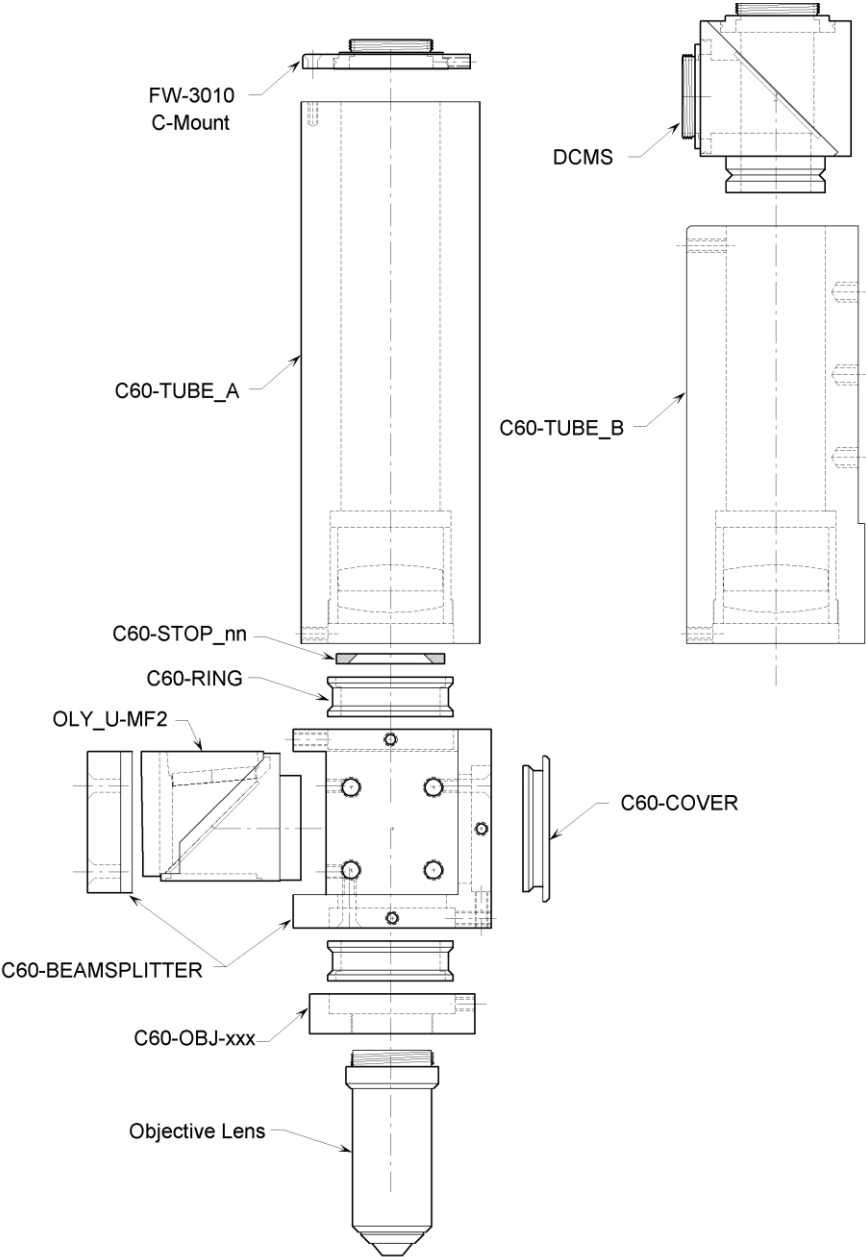
Tube Lens	200 mm f.l.
Beam Splitter	Olympus AX/BX/IX series cube
Beam Splitter Optical Length	60 mm
Objectives Supported	Nikon CFI60 Series Mitutoyo LWD Series *Olympus ∞ corrected
Camera Port	C-mount

*Olympus objectives will have overall magnification 1.11 x objective marking.

We Create Solutions

Applied Scientific Instrumentation, Inc. ♦ 29391 W Enid Rd ♦ Eugene, OR USA 97402-9533
(541) 461-8181 ♦ (800) 706-2284 ♦ info@ASImaging.com ♦ www.ASImaging.com

Part Numbers and Typical Assembly



We Create Solutions

Applied Scientific Instrumentation, Inc. ♦ 29391 W Enid Rd ♦ Eugene, OR USA 97402-9533
 (541) 461-8181 ♦ (800) 706-2284 ♦ info@ASImaging.com ♦ www.ASImaging.com