



APPLIED SCIENTIFIC
INSTRUMENTATION

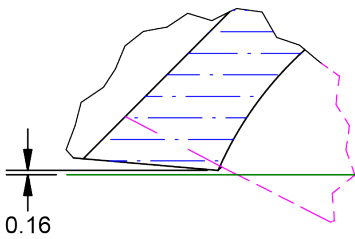
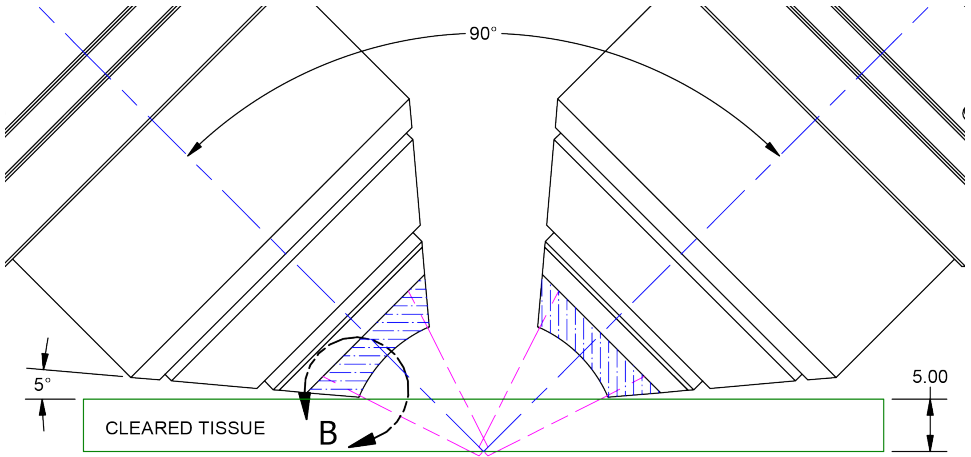
Immersion Objective for Cleared Tissue

SPECIFICATION	VALUE	COMMENTS
Numerical Aperture	0.4 @ RI 1.45	0.37 – 0.43 over RI range
Immersion Media RI	1.33 – 1.56	Includes all major clearing solutions
Effective Focal Length	12 mm @ RI 1.45	15.3x – 17.9x over RI range w/ 200 mm TL
Working Distance	12 mm (for all RI)	5.1 mm imaging depth with flat sample, 12 mm Ø sphere
Field of View	1.2 mm Ø	
Spherical Correction	480 – 1000 nm	Diffraction-limited for most media and λ
Chromatic Correction	480 – 720 nm	Performance varies by media, optimized for CLARITY and TDE
Correction Collar	None needed	Designed for immersion w/o coverslip
Form Factor	Nikon style	61.6 mm parfocal distance, M25 threads, 40 mm OD
Price	\$15k	
Imaging Media Compatibility	DBE, TDE, BB, Eci, other organic, FocusClear/CLARITY, CUBIC, general aqueous, and more	
Target Application	light sheet imaging of cleared tissue (diSPIM or home-built)	





APPLIED SCIENTIFIC
INSTRUMENTATION



DETAIL B

