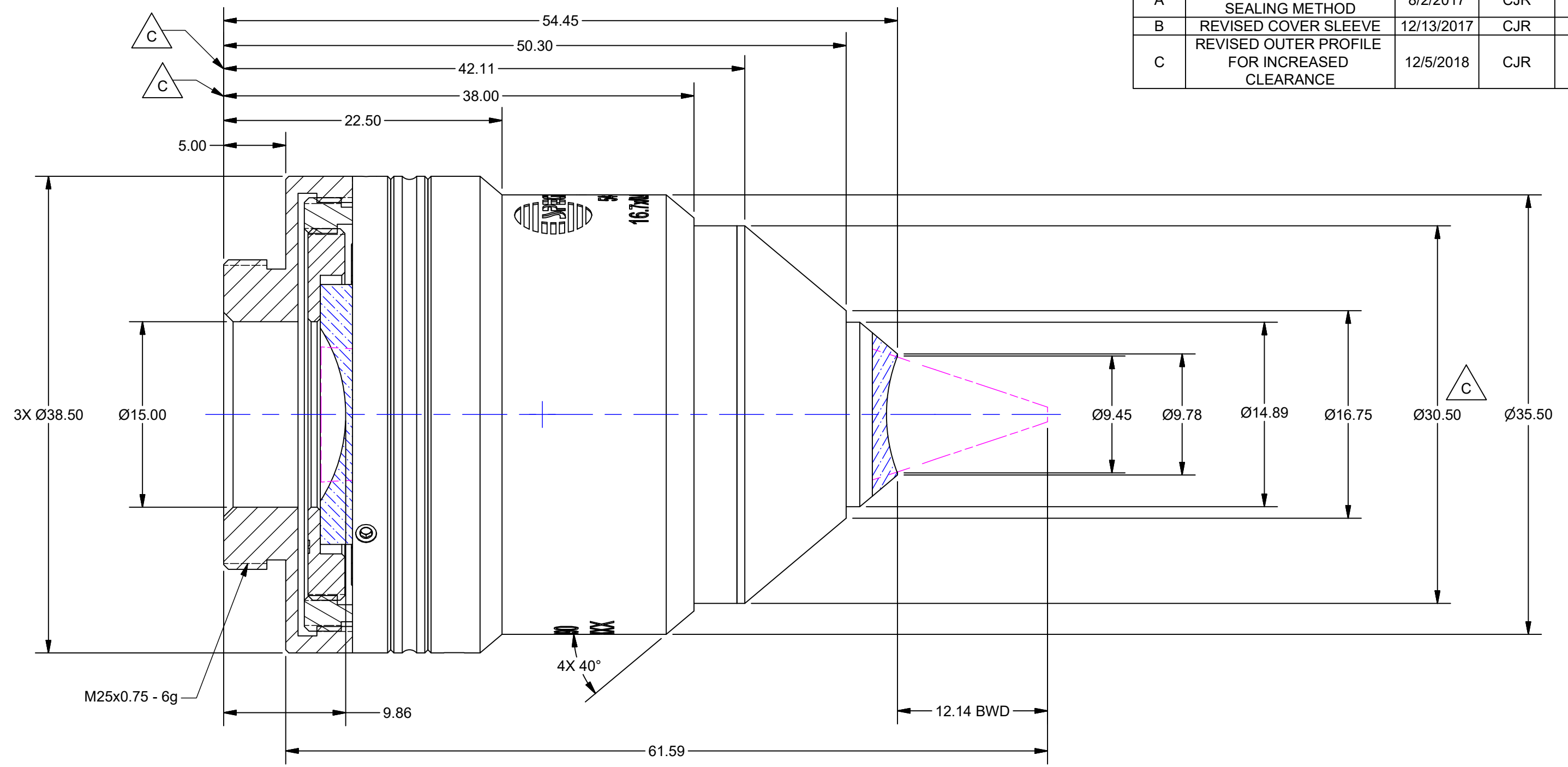


REVISION HISTORY				
REV	DESCRIPTION	DATE	DR BY	CH BY
A	REVISED OBJECTIVE SEALING METHOD	8/2/2017	CJR	JO
B	REVISED COVER SLEEVE	12/13/2017	CJR	JO
C	REVISED OUTER PROFILE FOR INCREASED CLEARANCE	12/5/2018	CJR	JO



# OUTLINE

UNLESS OTHERWISE SPECIFIED DIMENSIONS ARE IN MILLIMETERS AND INCLUDE CHEMICALLY APPLIED OR PLATED FINISHES		PROPRIETARY AND CONFIDENTIAL THE INFORMATION CONTAINED IN THIS DRAWING IS THE SOLE PROPERTY OF SPECIAL OPTICS. ANY REPRODUCTION IN PART OR AS A WHOLE WITHOUT THE WRITTEN PERMISSION OF SPECIAL OPTICS IS PROHIBITED.			
SCALE:	3:1	0.0 inch 1.0 0.0 mm 25.0			
WEIGHT:	348.79 g			ASSEMBLY 54-10-12 @ 480-910nm	
DR BY:	CJR				
CH BY:	JO				
PROJECT #:	E4085	DO NOT SCALE DRAWING		SIZE	PART NUMBER
DATE DR:	10/21/2016	SHEET 2 OF 2		<b>B</b>	<b>1-26990</b>
					REV
					<b>C</b>